

Service

DVP3111X/77
DVP3111/55
DVP3300/93
DVP3300/96

Service



Service



Service Manual

TABLE OF CONTENTS

	Page
. Technical Specifications.....	1-2
. Safety Instruction, Warning & Notes.....	1-3
. DFU Instruction.....	2-1
. Mechanical and Dismantling Instructions.....	3-1
. Software Version & Upgrades, Region Code Change.....	4-1
. Trouble Shooting Chart.....	5-1
. Wiring Diagram.....	6-1
. Electrical Diagrams and Print-layouts.....	7-1
. Packing, Set Mechanical Exploded view & Part list.....	8-1
. Revision List.....	9-1

©Copyright 2009 Philips Consumer Electronics B.V. Eindhoven, The Netherlands
All rights reserved. No part of this publication may be reproduced, stored in a retrieval system or transmitted, in any form or by any means, electronic, mechanical, photocopying, or otherwise without the prior permission of Philips.



Specifications for DVP3111/55

Note

- Specification and design are subject to change without notice

Accessories supplied

- Remote control and batteries
- Audio/Video cables
- Power plug adaptor
- User Manual

Play media

- DVD-Video, Video CD/SVCD, Audio CD, CD-R/CD-RW, DVD+R/+RW, DVD-R/-RW, DivX-CD, Picture CD, MP3-CD

TV standard

- Number of lines:
 - 625 (PAL/50Hz); 525 (NTSC/60Hz)
 - Play: Multi-standard (PAL/NTSC)

Video performance

- Video DAC: 12 bits, 108 MHz
- Video output: 1 Vpp ~ 75 ohm

Video format

- Digital compression:
 - DVD/SVCD/VCD/DivX
- Horizontal resolution:
 - DVD: 720 pixels (50 Hz); 720 pixels (60 Hz)
 - VCD: 352 pixels (50 Hz); 352 pixels (60 Hz)
- Vertical resolution:
 - DVD: 576 pixels (50 Hz); 480 pixels (60 Hz)
 - VCD: 288 lines (50 Hz); 240 lines (60 Hz)

Audio performance

- DA converter: 24 bits, 192 kHz
- Frequency response:
 - DVD: 4 Hz - 22 kHz (48 kHz); 4 Hz - 44 kHz (96 kHz)
 - SVCD: 4 Hz - 20 kHz (44.1 kHz); 4 Hz - 22 kHz (48 kHz)
 - CD/VCD: 4 Hz - 20 kHz (44.1 kHz)
- Signal-Noise (1 kHz): > 90 dB (A-weighted)
- Dynamic range (1 kHz): > 80 dB (A-weighted)
- Crosstalk (1 kHz): > 90 dB
- Distortion/noise (1 kHz): > 65 dB
- MP3: MPEG L3

Audio format

- Digital:
 - MPEG/AC-3: Compressed digital (16, 20, 24 bits, fs 44.1, 48, 96 kHz)
 - MP3: 96, 112, 128, 256 kbps & variable bit rate, fs 32, 44.1, 48 kHz
- Analog sound stereo
- Dolby surround compatible downmix from Dolby Digital multi-channel sound

Connections

- Video output: Cinch (yellow)
- Audio output (L+R): Cinch (white/red)
- Digital output:
 - 1 coaxial: IEC60958 for CDDA/LPCM; IEC61937 for MPEG 1/2, Dolby Digital

Main unit

- Dimensions (w x h x d): 360 x 37 x 209 (mm)
- Net Weight: approximately 1.3 kg

Power

- Power supply rating: 110 - 240V, 50/60HZ
- Power consumption: <10 W
- Power consumption in standby mode: <1 W

Laser specification

- Type: Semiconductor laser InGaAlP (DVD), AlGaAs (CD)
- Wave length: 658 nm (DVD), 790 nm (CD)
- Output Power: 7.0 mW (DVD), 10.0 mW (VCD/CD)
- Beam divergence: 60 degrees

Specifications for DVP3300(X)/93/96

Note

- Specification and design are subject to change without notice

Accessories supplied

- Remote control and batteries
- Audio/Video cables
- User Manual

Play media

- DVD-Video, Video CD/SVCD, Audio CD, CD-R/CD-RW, DVD+R/+RW, DVD-R/-RW, DivX-CD, Picture CD, MP3-CD, USB flash drive

TV standard

- Number of lines:
 - 625 (PAL/50Hz); 525 (NTSC/60Hz)
 - Play: Multi-standard (PAL/NTSC)

Video performance

- Video DAC: 12 bits, 108 MHz
- Video output: 1 Vpp ~ 75 ohm

Video format

- Digital compression:
 - DVD/SVCD/VCD/DivX
- Horizontal resolution:
 - DVD: 720 pixels (50 Hz); 720 pixels (60 Hz)
 - VCD: 352 pixels (50 Hz); 352 pixels (60 Hz)
- Vertical resolution:
 - DVD: 576 pixels (50 Hz); 480 pixels (60 Hz)
 - VCD: 288 lines (50 Hz); 240 lines (60 Hz)

Audio performance

- DA converter: 24 bits, 192 kHz
- Frequency response:
 - DVD: 4 Hz - 22 kHz (48 kHz); 4 Hz - 44 kHz (96 kHz)
 - SVCD: 4 Hz - 20 kHz (44.1 kHz); 4 Hz - 22 kHz (48 kHz)
 - CD/VCD: 4 Hz - 20 kHz (44.1 kHz)
- Signal-Noise (1 kHz): > 90 dB (A-weighted)
- Dynamic range (1 kHz): > 80 dB (A-weighted)
- Crosstalk (1 kHz): > 90 dB
- Distortion/noise (1 kHz): > 65 dB
- MP3: MPEG L3

Audio format

- Digital:
 - MPEG/AC-3: Compressed digital (16, 20, 24 bits, fs 44.1, 48, 96 kHz)
 - MP3: 96, 112, 128, 256 kbps & variable bit rate, fs 32, 44.1, 48 kHz
- Analog sound stereo
- Dolby surround compatible downmix from Dolby Digital multi-channel sound

Connections

- Video output: Cinch (yellow)
- Audio output (L+R): Cinch (white/red)
- Digital output:
 - 1 coaxial: IEC60958 for CDDA/LPCM; IEC61937 for MPEG 1/2, Dolby Digital

Main unit

- Dimensions (w x h x d): 360 x 37 x 209 (mm)
- Net Weight: approximately 1.3 kg

Power

- Power supply rating: 110 - 240V, 50/60HZ
- Power consumption: <10 W
- Power consumption in standby mode: <1 W

Laser specification

- Type: Semiconductor laser InGaAlP (DVD), AlGaAs (CD)
- Wave length: 658 nm (DVD), 790 nm (CD)
- Output Power: 7.0 mW (DVD), 10.0 mW (VCD/CD)
- Beam divergence: 60 degrees

Safety instruction, Warning & Notes

Safety instruction

1. General safety

Safety regulations require that during a repair:

- . Connect the unit to the mains via an isolation transformer.
- . Replace safety components indicated by the symbol ▲, only by components identical to the original ones. Any other component substitution (other than original type) may increase risk of fire or electrical shock hazard.

Safety regulations require that after a repair, you must return the unit in its original condition. Pay, in particular, attention to the following points:

- . Route the wires/cables correctly, and fix them with the mounted cable clamps.
- . Check the insulation of the mains lead for external damage.
- . Check the electrical DC resistance between the mains plug and the secondary side:
 - 1) Unplug the mains cord, and connect a wire between the two pins of the mains plug.
 - 2) Set the mains switch the "on" position (keep the mains cord unplug).
 - 3) Measure the resistance value between the mains plug and the front panel, controls, and chassis bottom.
 - 4) Repair or correct unit when the resistance measurement is less than 1M Ω .
 - 5) Verify this, before you return the unit to the customer/user (ref. UL-standard no. 1492).
 - 6) Switch the unit "off", and remove the wire between the two pins of the mains plug.

2.Laser safety

This unit employs a laser. Only qualified service personnel may remove the cover, or attempt to service this device (due to possible eye injury).

Laser device unit

Type : Semiconductor laser GaAlAs

Wavelength : 650nm (DVD)

: 780nm (VCD/CD)

Output power : 7mW (DVD)

: 10mW (DVD /CD)

Beam divergence: 60 degree

Note: Use of controls or adjustments or performance of procedure other than those specified herein, may result in hazardous radiation exposure. Avoid direct exposure to beam.

Warning

1. General

. All ICs and many other semiconductors are susceptible to electrostatic discharges (ESD). Careless handling during repair can reduce life drastically. Make sure that, during repair, you are at the same potential as the mass of the set by a wristband with resistance. Keep components and tools at this same potential. Available ESD protection equipment:

- 1) Complete kit ESD3 (small tablemat, wristband, connection box, extension cable and earth cable) 4822 310 10671.
- 2) Wristband tester 4822 344 13999.

. Be careful during measurements in the live voltage section. The primary side of the power supply, including the heat sink, carries live mains voltage when you connect the player to the mains (even when the player is "off!"). It is possible to touch copper tracks and/or components in this unshielded primary area, when you service the player. Service personnel must take precautions to prevent touching this area or components in this area. A "lighting stroke" and a stripe-marked printing on the printed wiring board, indicate the primary side of the power supply.

. Never replace modules, or components, while the unit is "on".

2. Laser

- . The use of optical instruments with this product, will increase eye hazard.
- . Only qualified service personnel may remove the cover or attempt to service this device, due to possible eye injury.
- . Repair handling should take place as much as possible with a disc loaded inside the player.
- . Text below is placed inside the unit, on the laser cover shield:


**CAUTION: VISIBLE AND INVISIBLE LASER
RADIATION WHEN OPEN, AVOID EXPOSURE
TO BEAM.**

Notes: Manufactured under licence from Dolby Laboratories. The double-D symbol is trademarks of Dolby Laboratories, Inc. All rights reserved.

Notes

Lead-Free requirement for service

IDENTIFICATION:

Regardless of special logo (not always indicated) 

One must treat all sets from 1.1.2005 onwards, according next rules.

***Important note:** In fact also products a little older can also be treated in this way as long as you avoid mixing solder-alloys (leaded/ lead-free). So best to always use SAC305 and the higher temperatures belong to this.*

Due to lead-free technology some rules have to be respected by the workshop during a repair:

- Use only lead-free solder alloy Philips SAC305 with order code 0622 149 00106. If lead-free solder-paste is required, please contact the manufacturer of your solder-equipment. In general use of solder-paste within workshops should be avoided because paste is not easy to store and to handle.
- Use only adequate solder tools applicable for lead-free solder alloy. The solder tool must be able
 - To reach at least a solder-temperature of 400°C,
 - To stabilize the adjusted temperature at the solder-tip
 - To exchange solder-tips for different applications.
- Adjust your solder tool so that a temperature around 360°C – 380°C is reached and stabilized at the solder joint. Heating-time of the solder-joint should not exceed ~ 4 sec. Avoid temperatures above 400°C otherwise wear-out of tips will rise drastically and flux-fluid will be destroyed. To avoid wear-out of tips switch off un-used equipment, or reduce heat.
- Mix of lead-free solder alloy / parts with leaded solder alloy / parts is possible but PHILIPS recommends strongly to avoid mixed solder alloy types (leaded and lead-free). If one cannot avoid, clean carefully the solder-joint from old solder alloy and re-solder with new solder alloy (SAC305).

- Use only original spare-parts listed in the Service-Manuals. Not listed standard-material (commodities) has to be purchased at external companies.
- Special information for BGA-ICs:
 - always use the 12nc-recognizable soldering temperature profile of the specific BGA (for de-soldering always use highest lead-free temperature profile, in case of doubt)
 - lead free BGA-ICs will be delivered in so-called 'dry-packaging' (sealed pack including a silica gel pack) to protect the IC against moisture. After opening, dependent of MSL-level seen on indicator-label in the bag, the BGA-IC possibly still has to be baked dry. This will be communicated via AYS-website.
- Do not re-use BGAs at all.
- For sets produced before 1.1.2005, containing leaded soldering-tin and components, all needed spare-parts will be available till the end of the service-period. For repair of such sets nothing changes.
- On our website:

www.atyourservice.ce.Philips.com

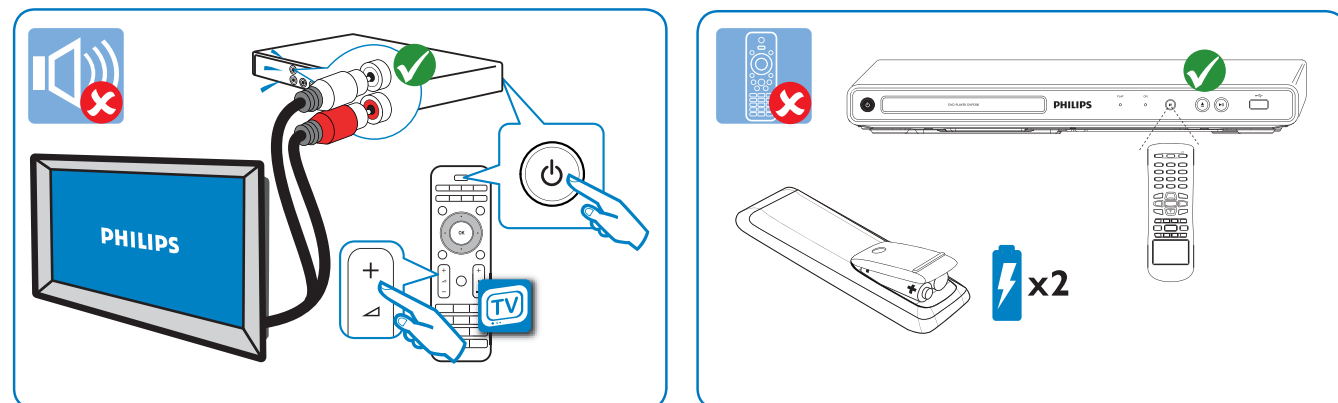
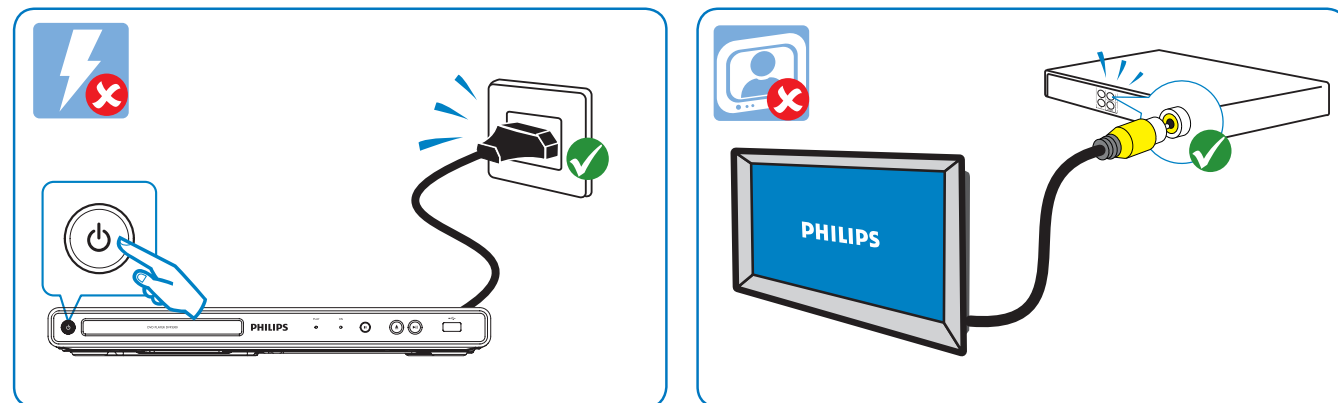
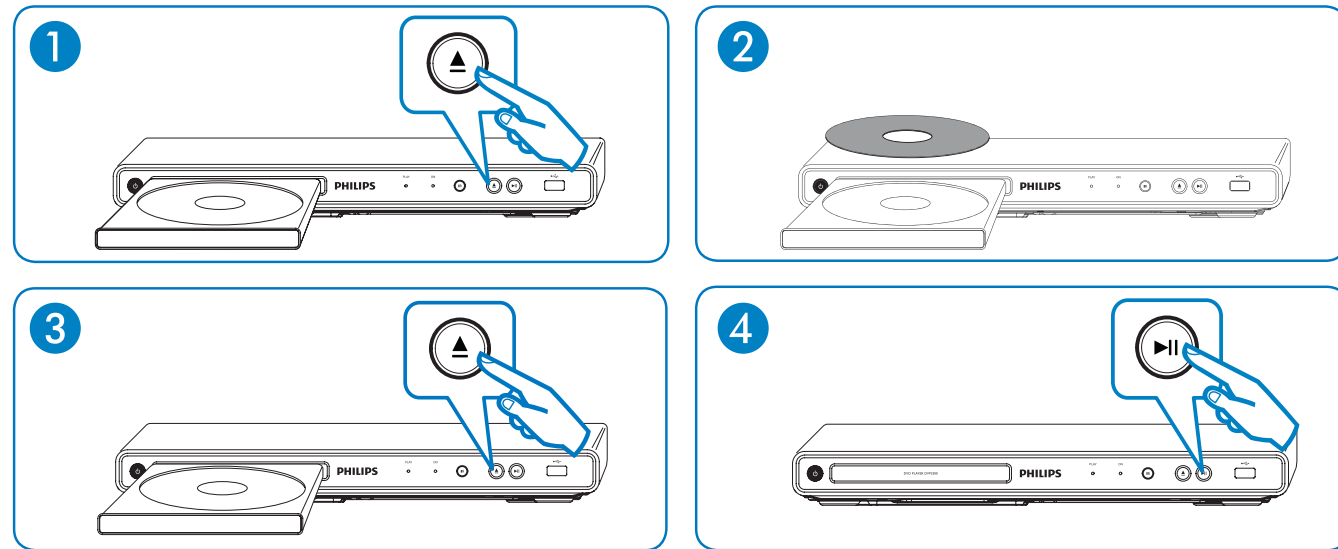
You find more information to:

BGA-de-/soldering (+ baking instructions)
Heating-profiles of BGAs and other ICs used in Philips-sets

You will find this and more technical information within the "magazine", chapter "workshop news".
For additional questions please contact your local repair-helpdesk.

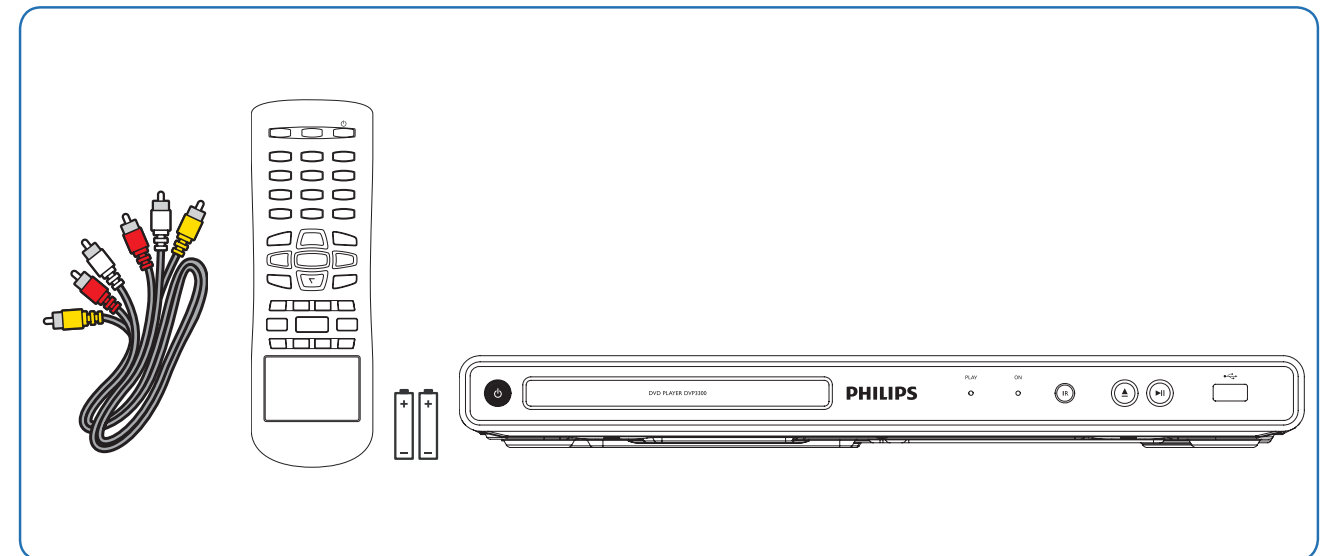
4

The following excerpt of the Quick Start Guide serves as an introduction to the set. The complete Direction For Use can be download in different languages from Philips Customer Contact & Support site: www.p4c.philips.com



Register your product and get support at www.philips.com/welcome

DVP3300



Warning

- Risk of overheating! Never install the DVD player in a confined space. Always leave a space of at least four inches around the DVD player for ventilation. Ensure the curtains or other objects never cover the ventilation slots on the DVD player.
- Never place the DVD player, remote control or batteries near naked flames or other heat sources, including direct sunlight.
- Only use this DVD player indoors. Keep this DVD player away from water, moisture and liquid-filled objects.
- Never place this DVD player on other electrical equipment.
- Keep away from this DVD player during lightning storms.
- Where the mains plug or an appliance coupler is used as the disconnect device, the disconnect device shall remain readily operable.
- Visible and invisible laser radiation when open. Avoid exposure to beam.

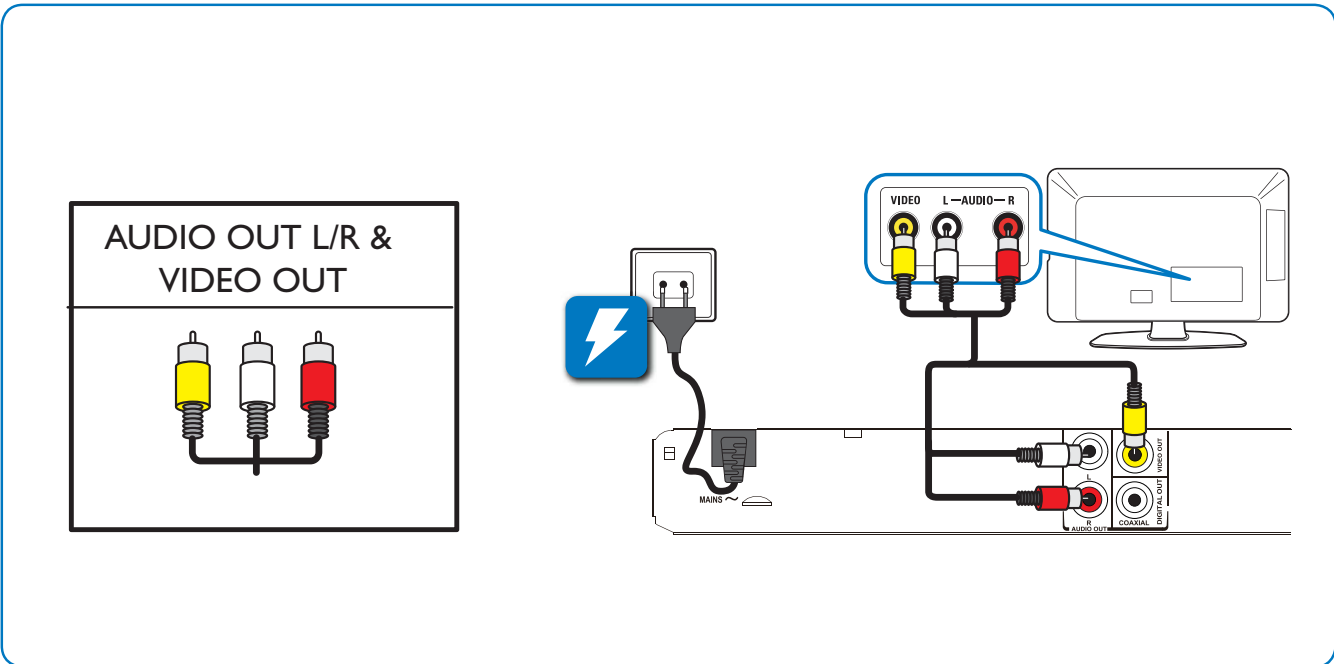
警告

- 小心过热! 切勿将DVD播放机安装在封闭空间内。始终在DVD播放机周围留出至少4英寸的空间以便通风。确保窗帘或其它物体不会遮挡DVD播放机上的通风槽。
- 切勿将DVD播放机、遥控器或电池放在明火或其它热源(包括直射的阳光)附近。
- 仅在室内使用此DVD播放机。让此DVD播放机远离水、湿气和盛有液体的物体。
- 切勿将此DVD播放机放在其它电子设备上面。
- 雷电天气期间, 请远离此DVD播放机。
- 将电源插头或设备耦合器用作断电设备时, 该断电设备应可以随时使用。
- 该设备打开时, 存在可见及不可见的激光辐射。避免直视激光束。

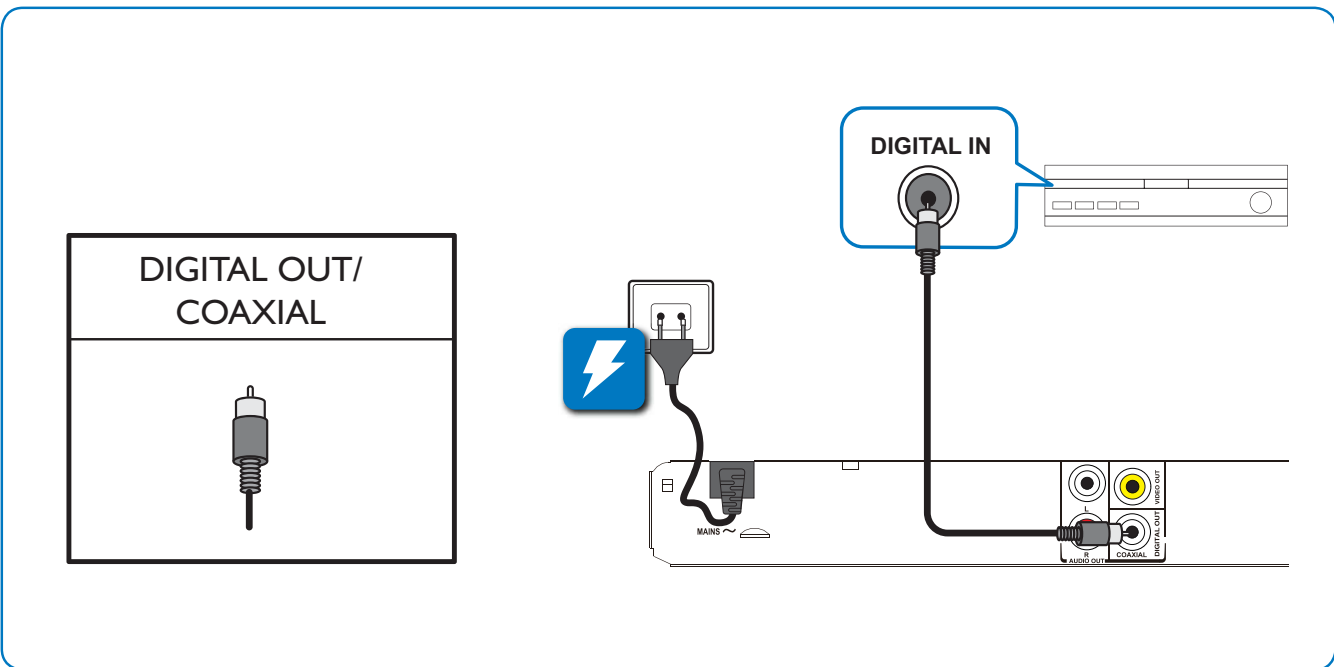
EN Print your user manual at www.philips.com/support

ZH_CN 要打印用户手册, 请访问 www.philips.com/support

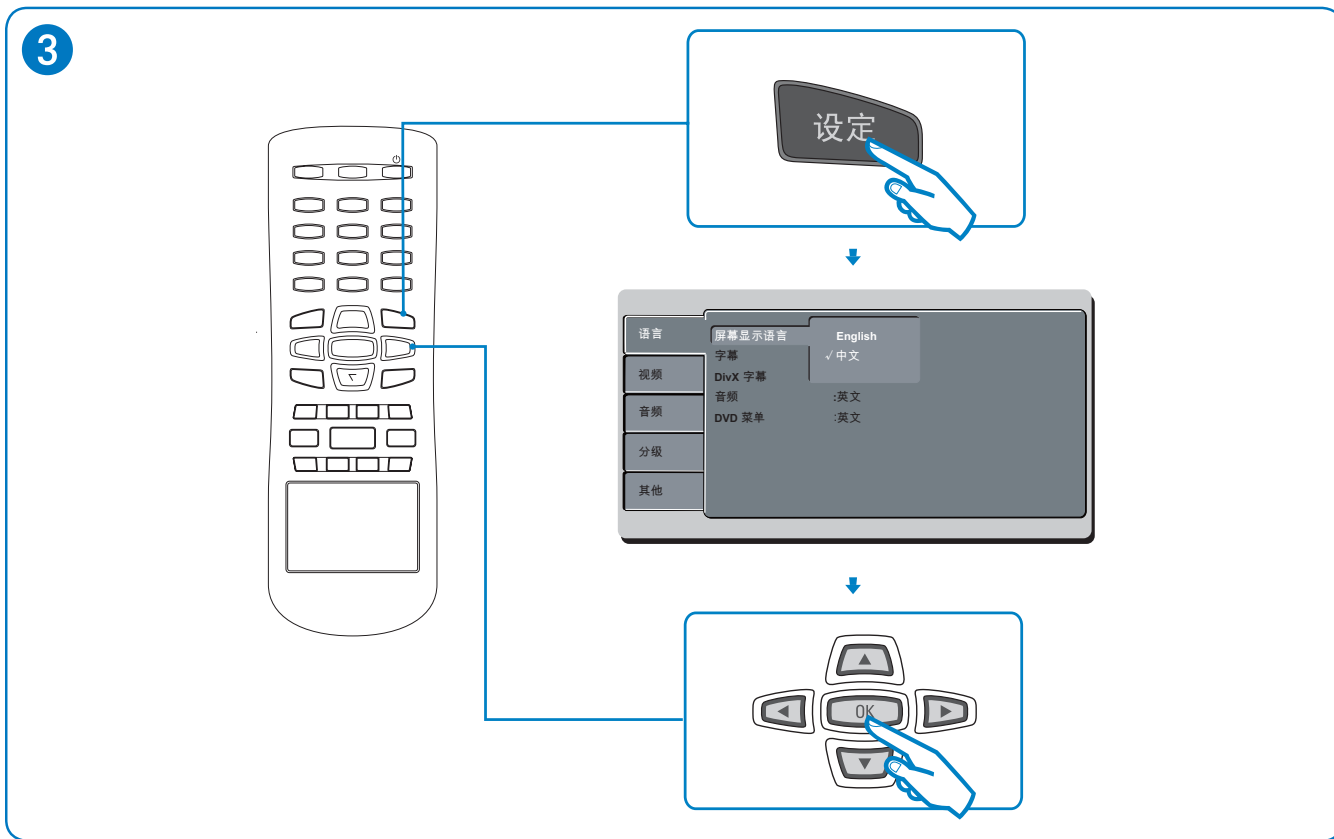
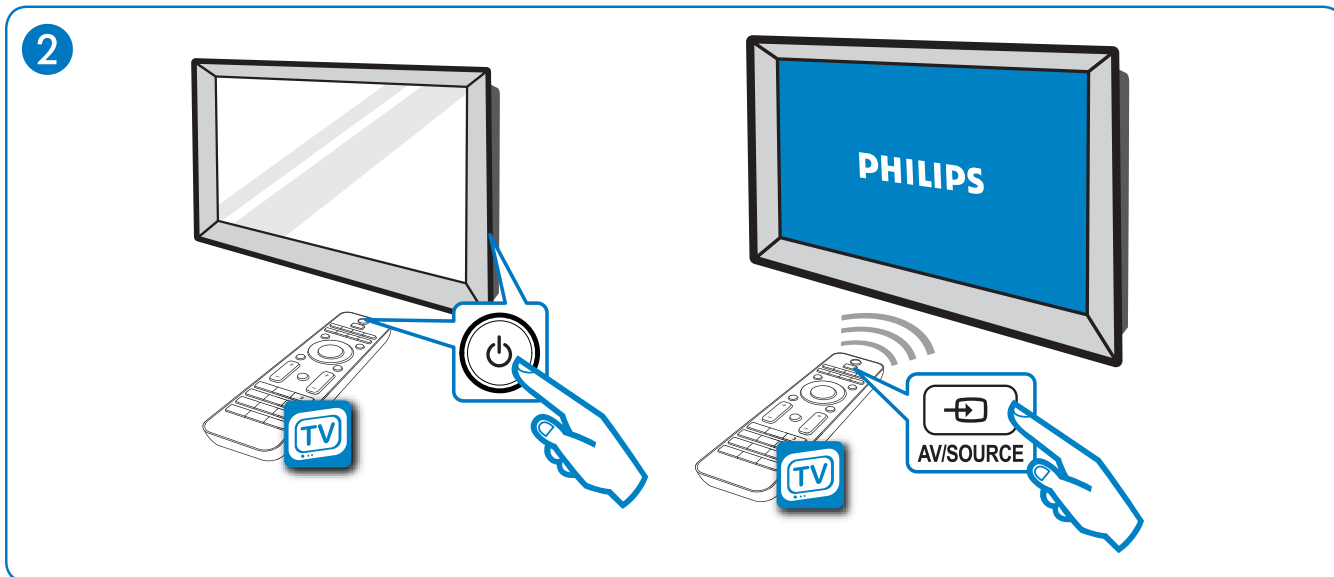
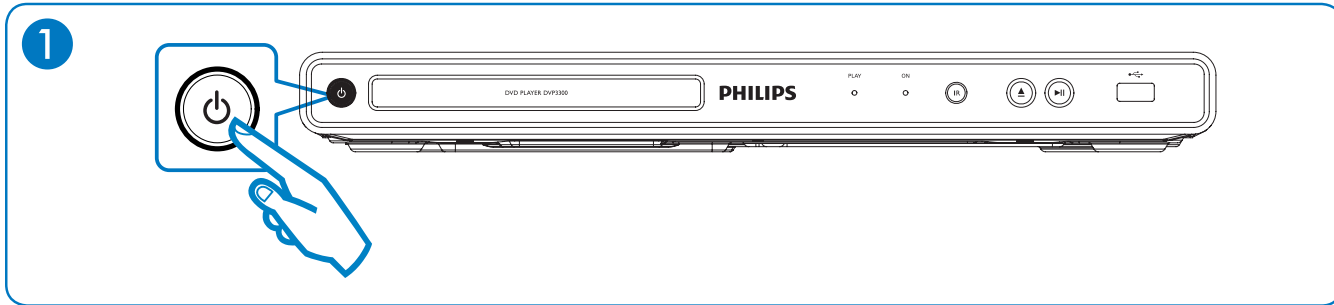
1



2



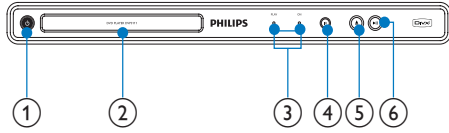
3






DVP3111/55:

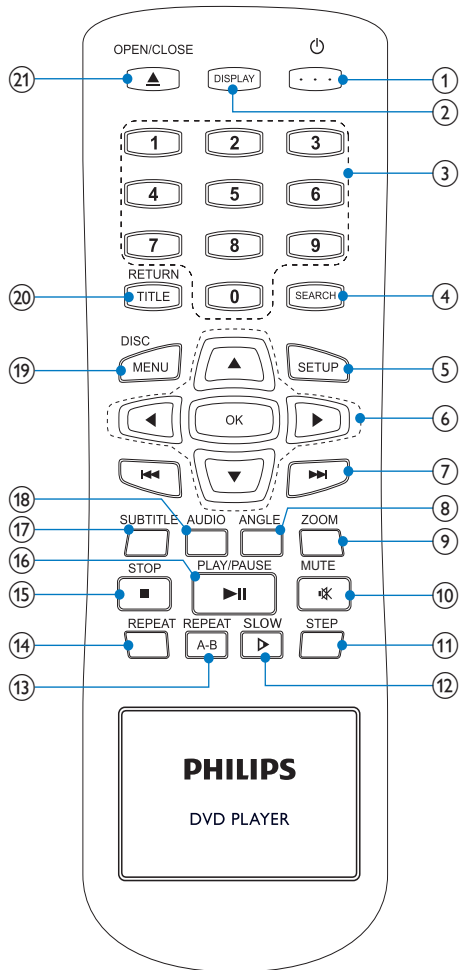
Product overview

Main unit



- ① 
 - Turn on the unit or switch to standby.
- ② **Disc compartment**
- ③ **Indicators**
- ④ **IR sensor**
 - Remote sensor.
- ⑤ 
 - Open or close the disc compartment.
- ⑥ 
 - Start, pause or resume disc play.

Remote control



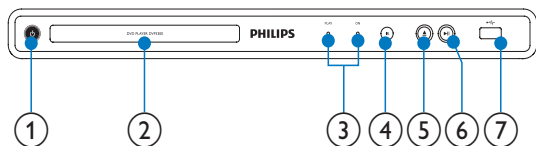
- ① **⏻**
- Turn on the DVD player or switch to standby mode.
- ② **DISPLAY**
- Display the current play status or disc information
- ③ **Numeric Keypad 0 - 9**
- Select an item to play.
- ④ **SEARCH**
- Start playback from designated point.
- ⑤ **SETUP**
- Access or exit the setup menu.
- ⑥ **▲▼◀▶ (Navigation buttons)**
- Navigate through the menus.
 - Search fast-forward (right) or fast-backward (left).
 - Search slow-forward (up) or slow-backward (down).
- OK**
- Confirm an entry or selection.

- ⑦ **◀◀▶▶ (Previous/Next)**
- Skip to the previous or next title, chapter, or track.
 - Press and hold for fast-backward or fast-forward search.
- ⑧ **ANGLE**
- Select a viewing angle of a DVD.
 - Switch viewing modes during playing JPEG slideshow.
- ⑨ **ZOOM**
- Zoom into or out of an image.
- ⑩ **🔇 MUTE**
- Mute or restore audio output.
- ⑪ **STEP**
- Play video frame by frame.
- ⑫ **SLOW ▶**
- Select a slow forward.
- ⑬ **REPEAT A-B**
- Repeat a specific section within a track/disc.
- ⑭ **REPEAT**
- Select or turn off repeat mode.
- ⑮ **STOP ■**
- Stop play.
- ⑯ **PLAY/PAUSE ▶||**
- Start, pause or resume disc play
- ⑰ **SUBTITLE**
- Select a subtitle language for video.
- ⑱ **AUDIO**
- Select an audio language or channel.
- ⑲ **DISC MENU**
- Access or exit the disc menu.
 - For VCD 2.0 and SVCD, turn on or off the PBC (playback control) mode.
- ⑳ **RETURN/TITLE**
- Returns to the previous menu.
 - For DVD, navigates to title menu.
 - For VCD version 2.0 or SVCD with PBC turned on, returns to the menu.
- ㉑ **▲OPEN/CLOSE**
- Open or close the disc compartment.

DVP3300/93:

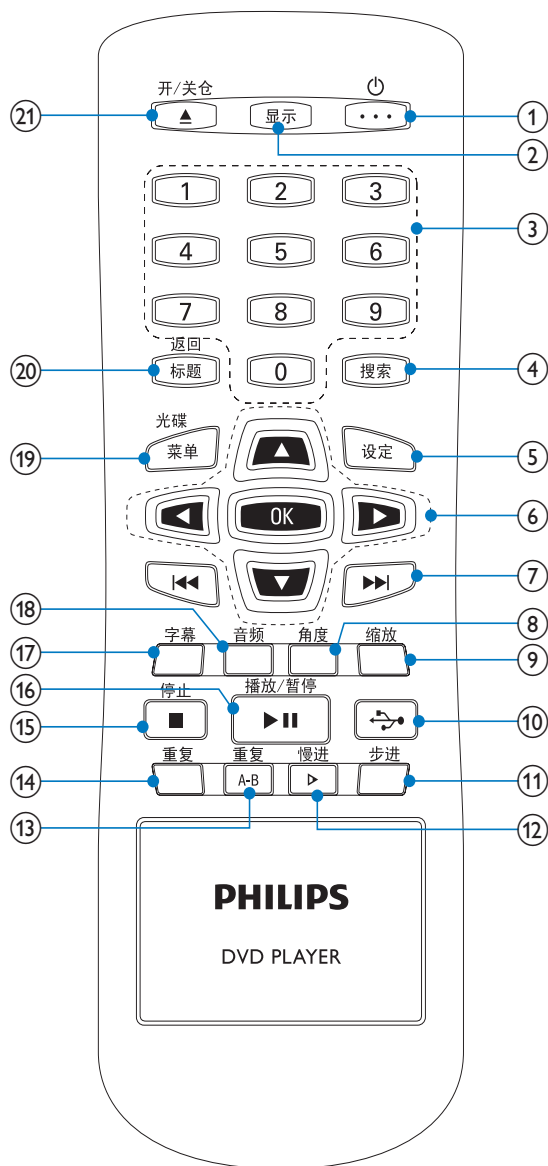
Product overview

Overview of the main unit



- ① **⏻ (Standby-On)**
 - Turn on the DVD player or switch to standby mode.
- ② **Disc compartment**
- ③ **Indicators**
- ④ **▲ (Open/Close)**
 - Open or close the disc compartment.
- ⑤ **▶|| (Play/Pause)**
 - Start, pause or resume disc play.
- ⑥ **🔌 (USB jack)**
 - Connect a USB flash drive.

Overview of the remote control



Remote control

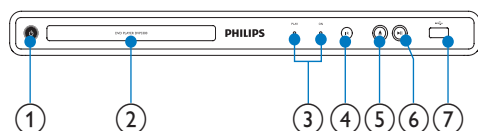
- ① **⏻**
 - Turn on the DVD player or switch to standby mode.
- ② **显示**
 - Display the current play status or disc information.

- ③ **Numeric Keypad 0 - 9**
- Select an item to play.
- ④ **搜索**
- Start playback from designated point.
- ⑤ **设定**
- Access or exit the setup menu.
- ⑥ **▲▼◀▶ (Navigation buttons)**
- Navigate through the menus.
 - Search fast-forward (right) or fast-backward (left).
 - Search slow-forward (up) or slow-backward (down).
 - **OK**
 - Confirm an entry or selection.
- ⑦ **◀◀▶▶ (Previous/Next)**
- Skip to the previous or next title, chapter, or track.
 - Press and hold for fast-backward or fast-forward search.
- ⑧ **角度**
- Select a viewing angle of a DVD.
 - Switch viewing modes during playing JPEG slideshow.
- ⑨ **缩放**
- Zoom into or out of an image.
- ⑩ **↔**
- Select USB device source.
- ⑪ **步进**
- Play video frame by frame.
- ⑫ **慢进▶**
- Select a slow forward.
- ⑬ **重复A-B**
- Repeat a specific section within a track/disc.
- ⑭ **重复**
- Select or turn off repeat mode.
- ⑮ **停止■**
- Stop play.
- ⑯ **播放/暂停▶||**
- Start, pause or resume disc play
- ⑰ **字幕**
- Select a subtitle language for video.
- ⑱ **音频**
- Select an audio language or channel.
- ⑲ **光碟/菜单**
- Access or exit the disc menu.
 - For VCD 2.0 and SVCD, turn on or off the PBC (playback control) mode.
- ⑳ **返回/标题**
- Returns to the previous menu.
 - For DVD, navigates to title menu.
 - For VCD version 2.0 or SVCD with PBC turned on, returns to the menu.
- ㉑ **开/关仓▲**
- Open or close the disc compartment.

DVP3300X/96

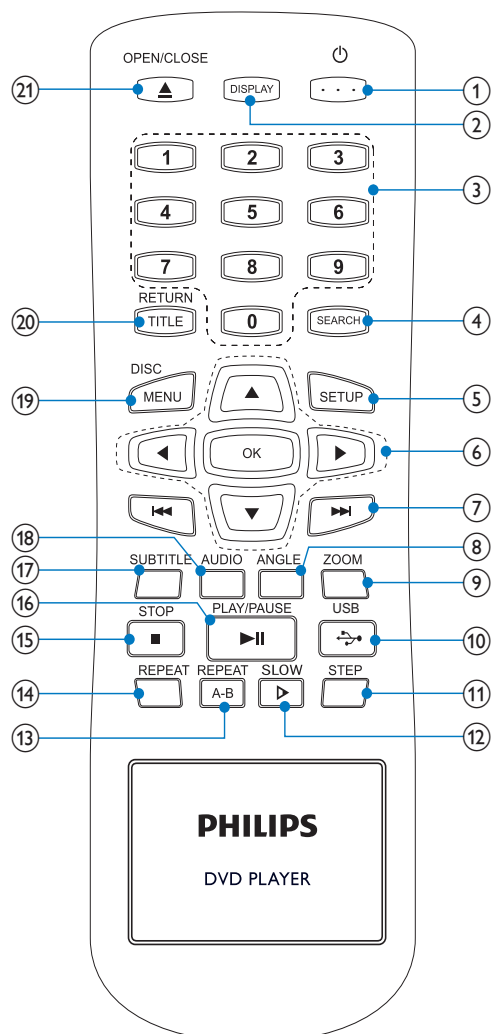
Product overview

Overview of the main unit




- ① **⏻ (Standby-On)**
 - Turn on the DVD player or switch to standby mode.
- ② **Disc compartment**
- ③ **Indicators**
- ④ **iR sensor**
 - Remote sensor.
- ⑤ **▲ (Open/Close)**
 - Open or close the disc compartment.
- ⑥ **▶|| (Play/Pause)**
 - Start, pause or resume disc play.
- ⑦ **🔌 (USB jack)**
 - Connect a USB flash drive.

Overview of the remote control



- ① **⏻**
 - Turn on the DVD player or switch to standby mode.
- ② **DISPLAY**
 - Display the current play status or disc information
- ③ **Numeric Keypad 0 - 9**
 - Select an item to play.
- ④ **SEARCH**
 - Start playback from designated point.

- ⑤ **SETUP**
 - Access or exit the setup menu.
- ⑥ **▲▼◀▶ (Navigation buttons)**
 - Navigate through the menus.
 - Search fast-forward (right) or fast-backward (left).
 - Search slow-forward (up) or slow-backward (down).
- OK**
 - Confirm an entry or selection.
- ⑦ **◀◀▶▶ (Previous/Next)**
 - Skip to the previous or next title, chapter, or track.
 - Press and hold for fast-backward or fast-forward search.
- ⑧ **ANGLE**
 - Select a viewing angle of a DVD.
 - Switch viewing modes during playing JPEG slideshow.
- ⑨ **ZOOM**
 - Zoom into or out of an image.
- ⑩ **USB **
 - Select USB device source.
- ⑪ **STEP**
 - Play video frame by frame.
- ⑫ **SLOW ▶**
 - Select a slow forward.
- ⑬ **REPEAT A-B**
 - Repeat a specific section within a track/disc.
- ⑭ **REPEAT**
 - Select or turn off repeat mode.
- ⑮ **STOP ■**
 - Stop play.
- ⑯ **PLAY/PAUSE ▶||**
 - Start, pause or resume disc play
- ⑰ **SUBTITLE**
 - Select a subtitle language for video.
- ⑱ **AUDIO**
 - Select an audio language or channel.
- ⑲ **DISC MENU**
 - Access or exit the disc menu.
 - For VCD 2.0 and SVCD, turn on or off the PBC (playback control) mode.
- ⑳ **RETURN/TITLE**
 - Returns to the previous menu.
 - For DVD, navigates to title menu.
 - For VCD version 2.0 or SVCD with PBC turned on, returns to the menu.
- ㉑ **▲ OPEN/CLOSE**
 - Open or close the disc compartment.

Mechanical and Dismantling Instructions

Dismantling Instruction

Detailed information please refer to the model set.

The following guidelines show how to dismantle the player.

Step1: Remove 5 screws around the Top Cover, and then remove the Top Cover (Figure 1).



Figure 1

Step2: If it is necessary to dismantle Loader or Front Panel, the Front door should be removed first. (Figure 2)

Note: Make sure to operate gently otherwise the guider would be damaged.



Please kindly note that dismantle the front door assembly carefully to avoid damage tray and the front door.

Figure 2

Mechanical and Dismantling Instructions

Dismantling Instruction

Detailed information please refer to the model set.

Step3: If the tray can't open in normal way, you can make it through the instruction as below (Figure 3).
Note: Make sure to operate gently otherwise the guider would be damaged.



Figure 3

Step4: Dismantling Front Panel, disconnect the connectors (XP3), need release 4 snaps of Front Panel and 2 snaps of bottom cabinet , then gently pull the Panel out from the set. (Figure 4 - Figure 6)

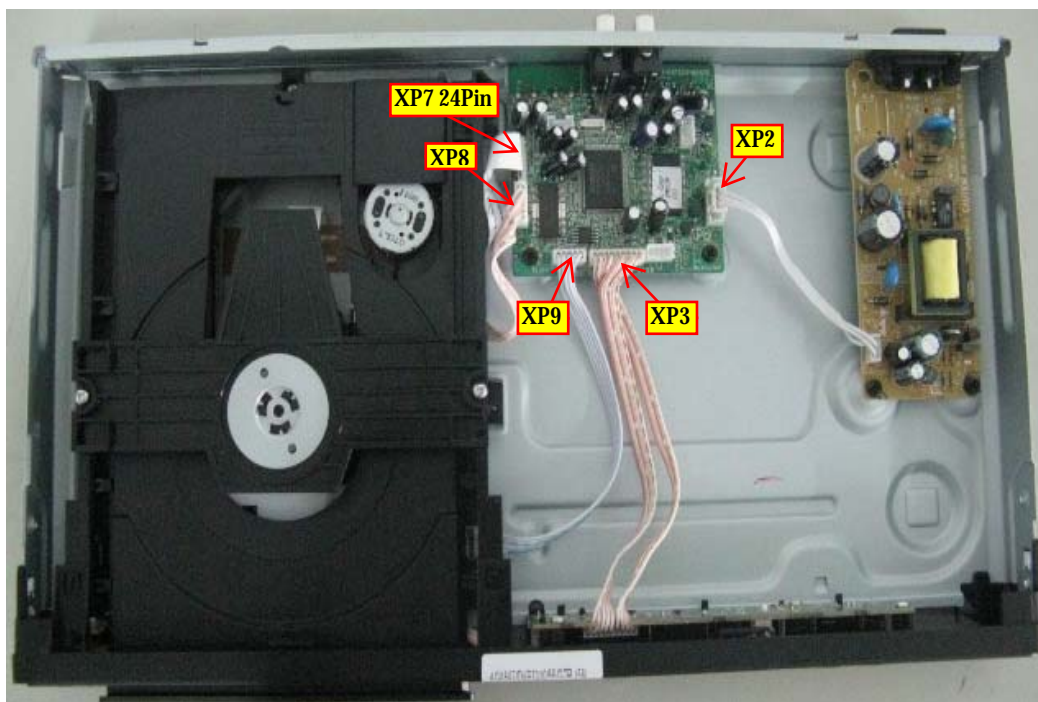


Figure 4

Mechanical and Dismantling Instructions

Dismantling Instruction

Detailed information please refer to the model set.

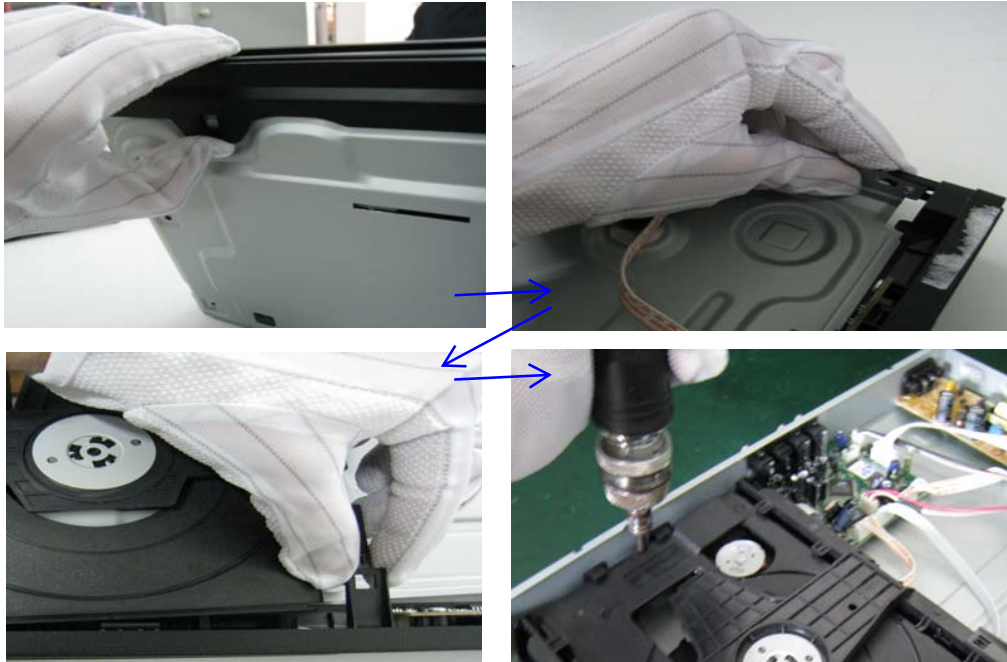


Figure 5

Step5: Dismantling Loader, disconnect the 3 connectors (XP7, XP8, XP9) aiming in the below figure, and remove 1 screw that connects the loader and the bottom cabinet. (Figure 5 & 6)



Figure 6

Mechanical and Dismantling Instructions

Dismantling Instruction

Detailed information please refer to the model set.

Step6: Dismantling Main Board, first disconnect the connector (XP2), and then remove 3 screws. (Figure 7)

Step7: Remove the 4 screws on Power Board to dismantle the Power Board. (Figure 7)



Figure 7

Software upgrade

How to upgrade the software

- 1) Burn the data onto a blank CD-R or RW disc.

A. Procedure for software upgrade:

- 1) Power on the set and insert the prepared Upgrade CDR.
- 2) The set will start reading disc & response with the following display TV screen:

Loading

Firmware Upgrade Erase and program.

OK

Cancel

Select **OK** to start upgrade.

- 3) Press <OK> button to confirm, then screen will display :

Firmware Upgrade Programming, Please Wait...
Do not Switch the Player Off !
- 4) The upgraded disc will automatically out when files copying complete, then take out the disc.
- 5) About 1 minute later, the tray will automatically close when upgrading complete.

B. Read out the Firmware version to confirm the upgrading

- 1) Power on the set and Open the tray door.
- 2) Press <9><6><6> button to check the software information.

The software version and other information are displayed on the TV screen as follows:

BE Version: DVP33XX_XX.XX

FE Version: XXXX.XXXXXX

DSP Version: DSP.XX

Region Code: X

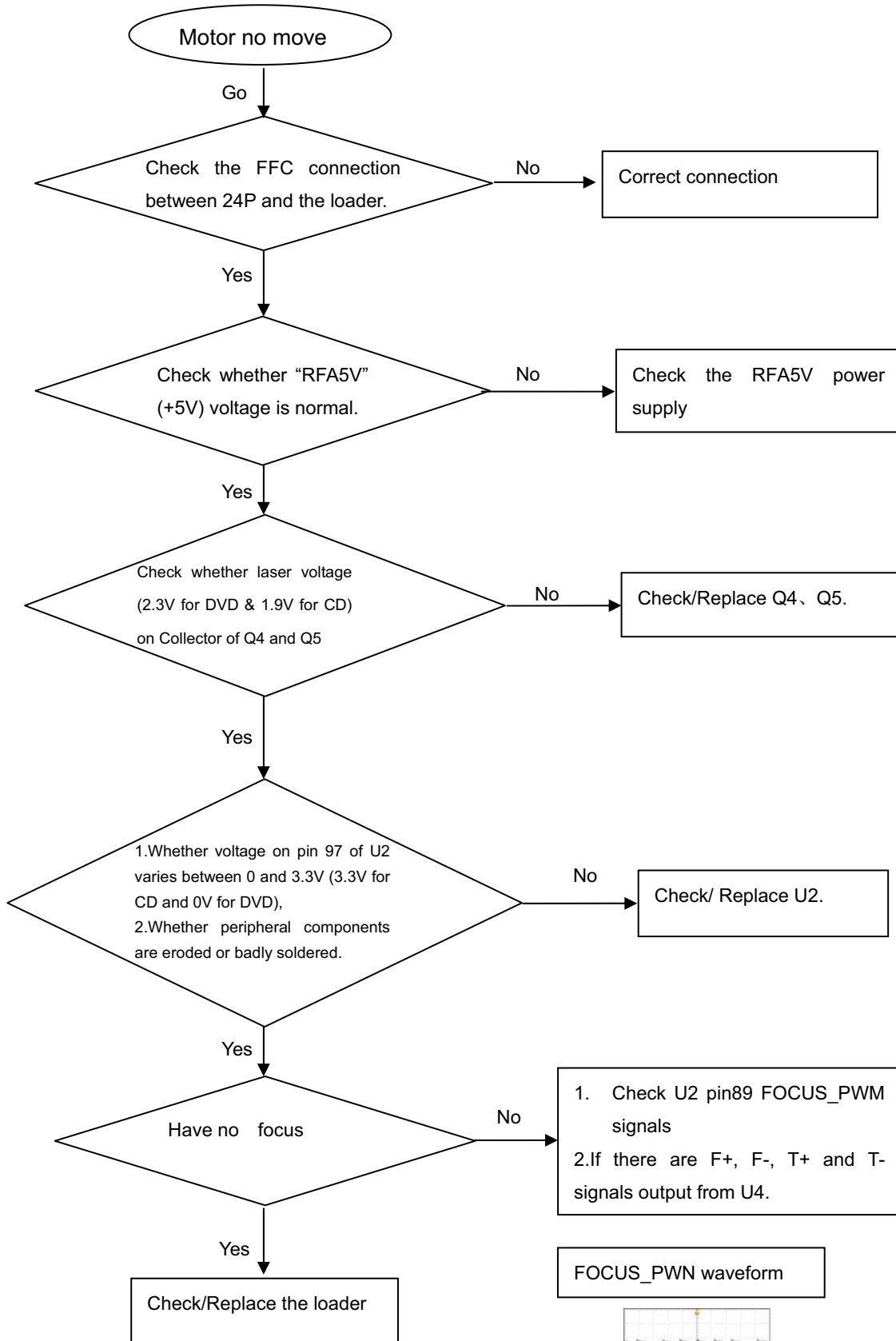
Caution: The set must not be power off during upgrading, Otherwise the Main board will be damaged entirely.

Region Code Change

- 1) Power on the set and open the tray door;
- 2) Press "9" "8" "7" "9" and press the region code number (0-6) on the remote control.

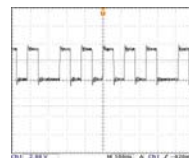
Notes: restart after above steps.

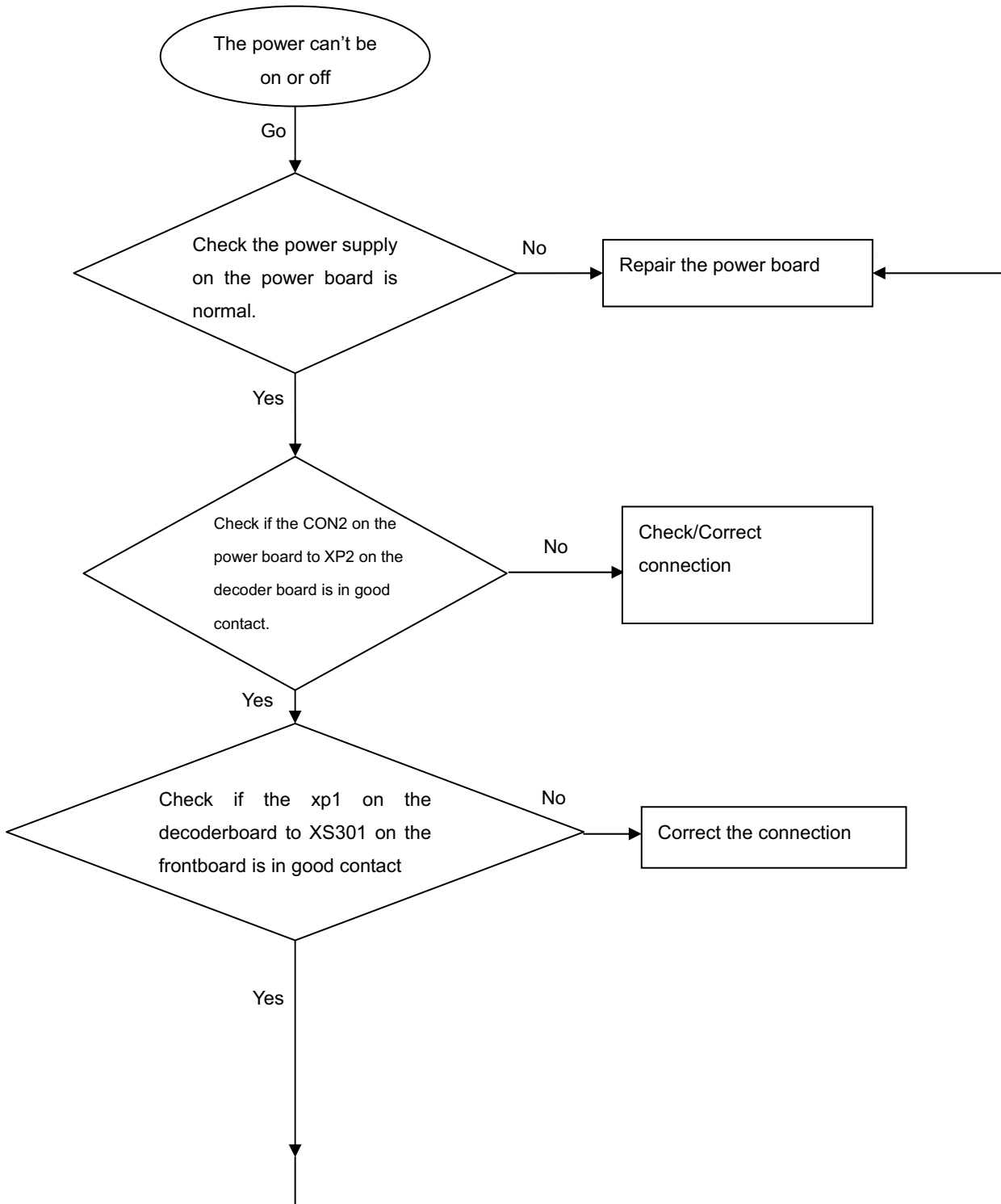
Spindle motor does not move



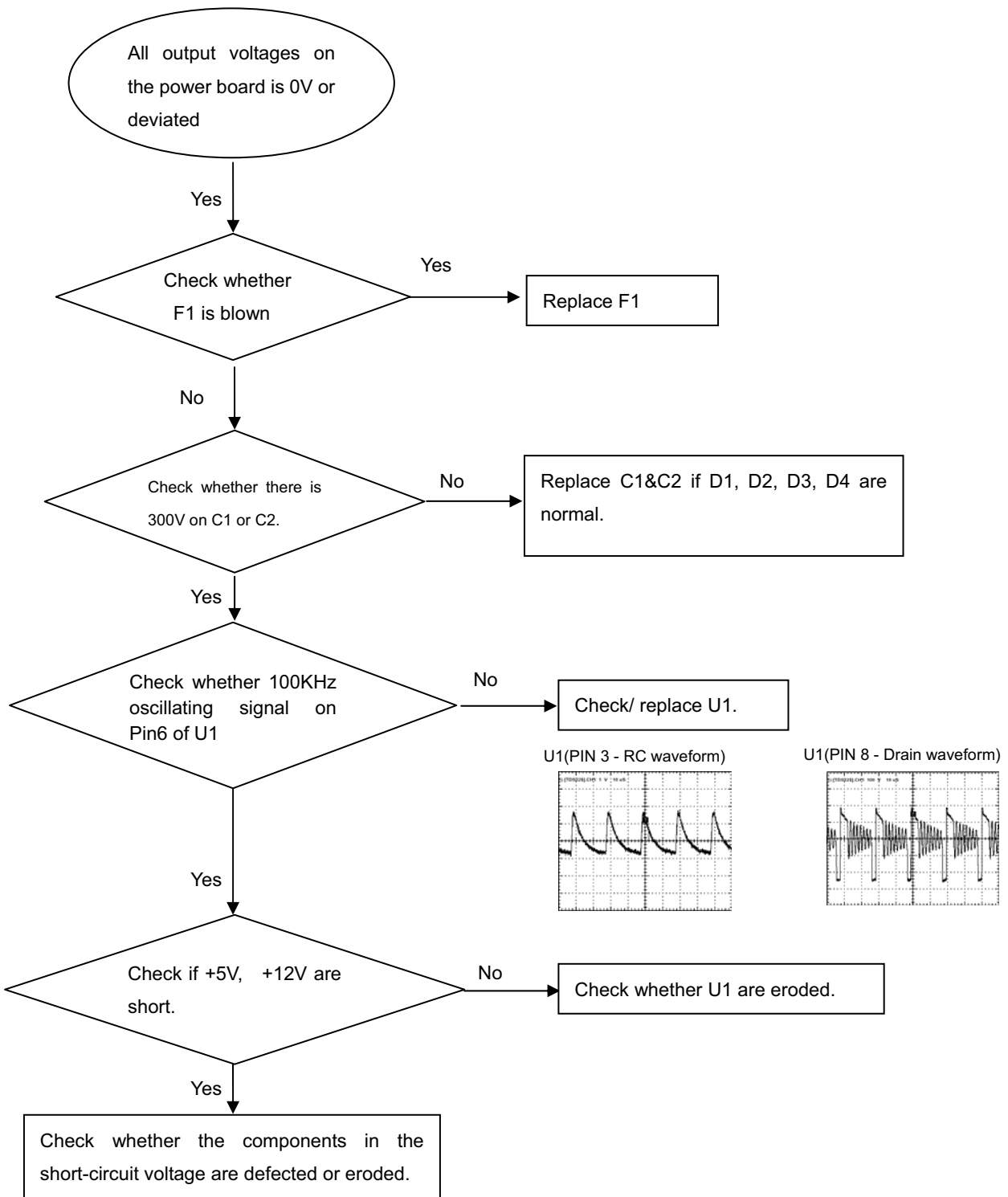
1. Check U2 pin89 FOCUS_PWM signals
2.If there are F+, F-, T+ and T- signals output from U4.

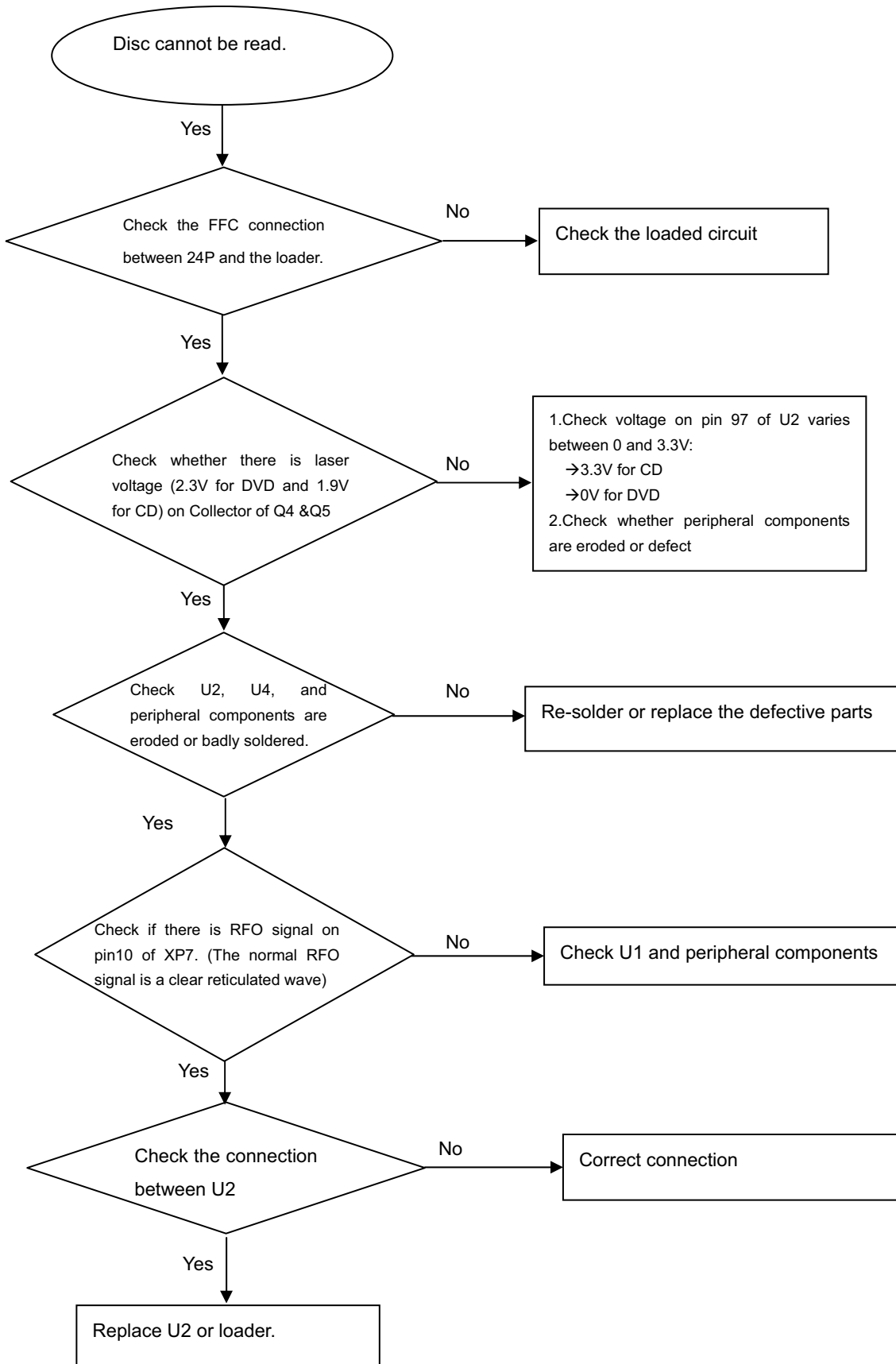
FOCUS_PWN waveform

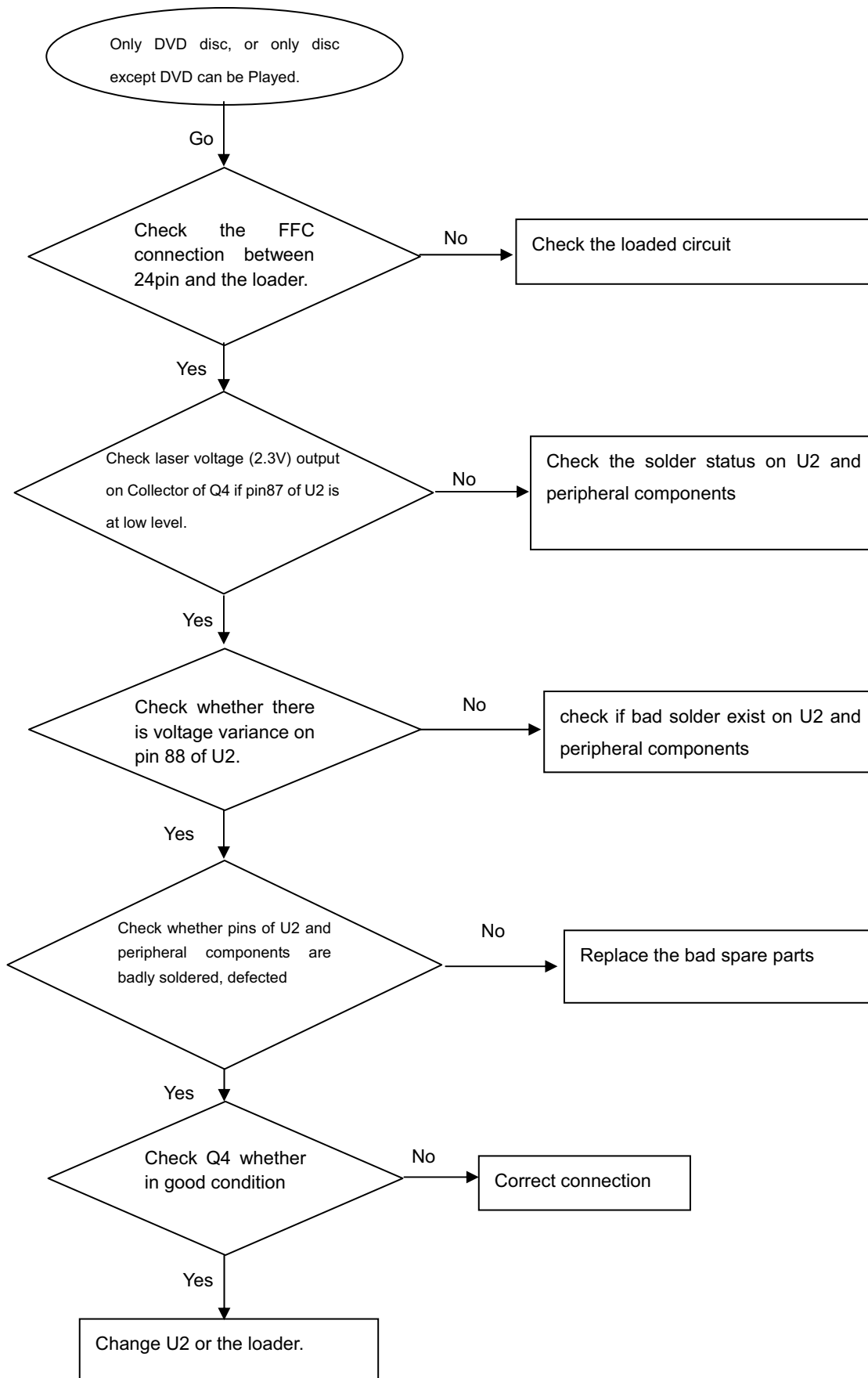


The power can not be on or off

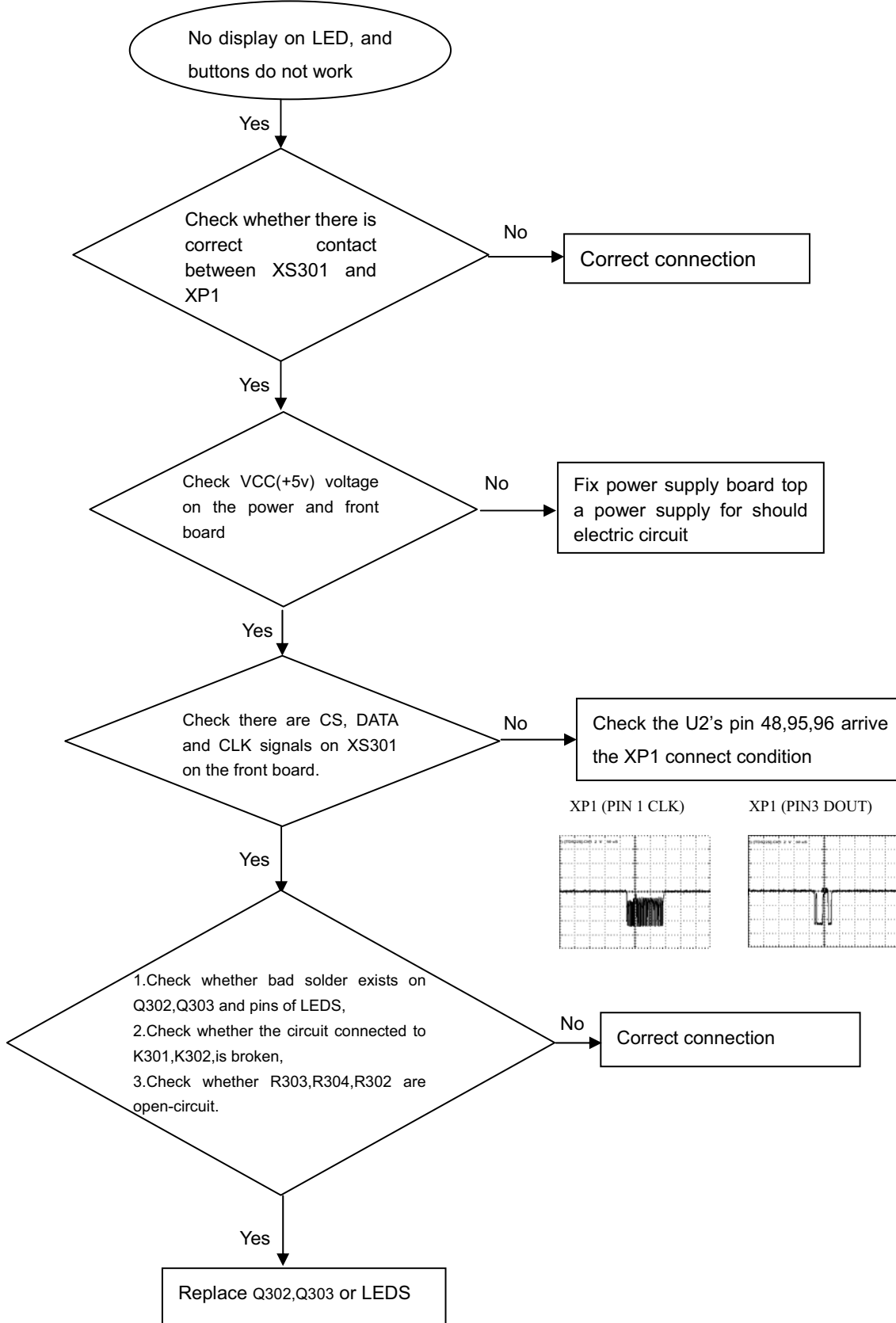
All output voltages on the power board is 0V or deviated.

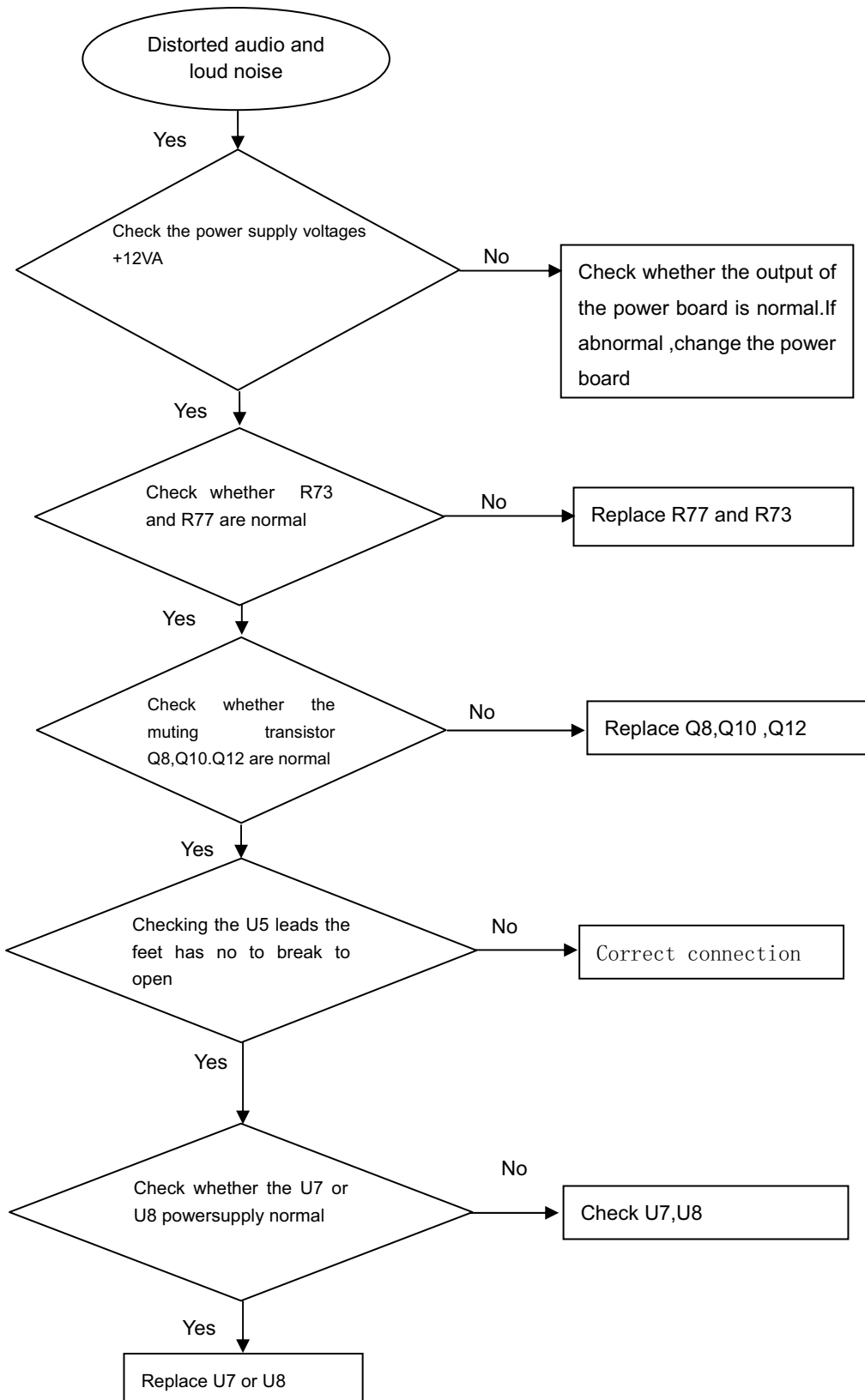


Disc cannot be read.

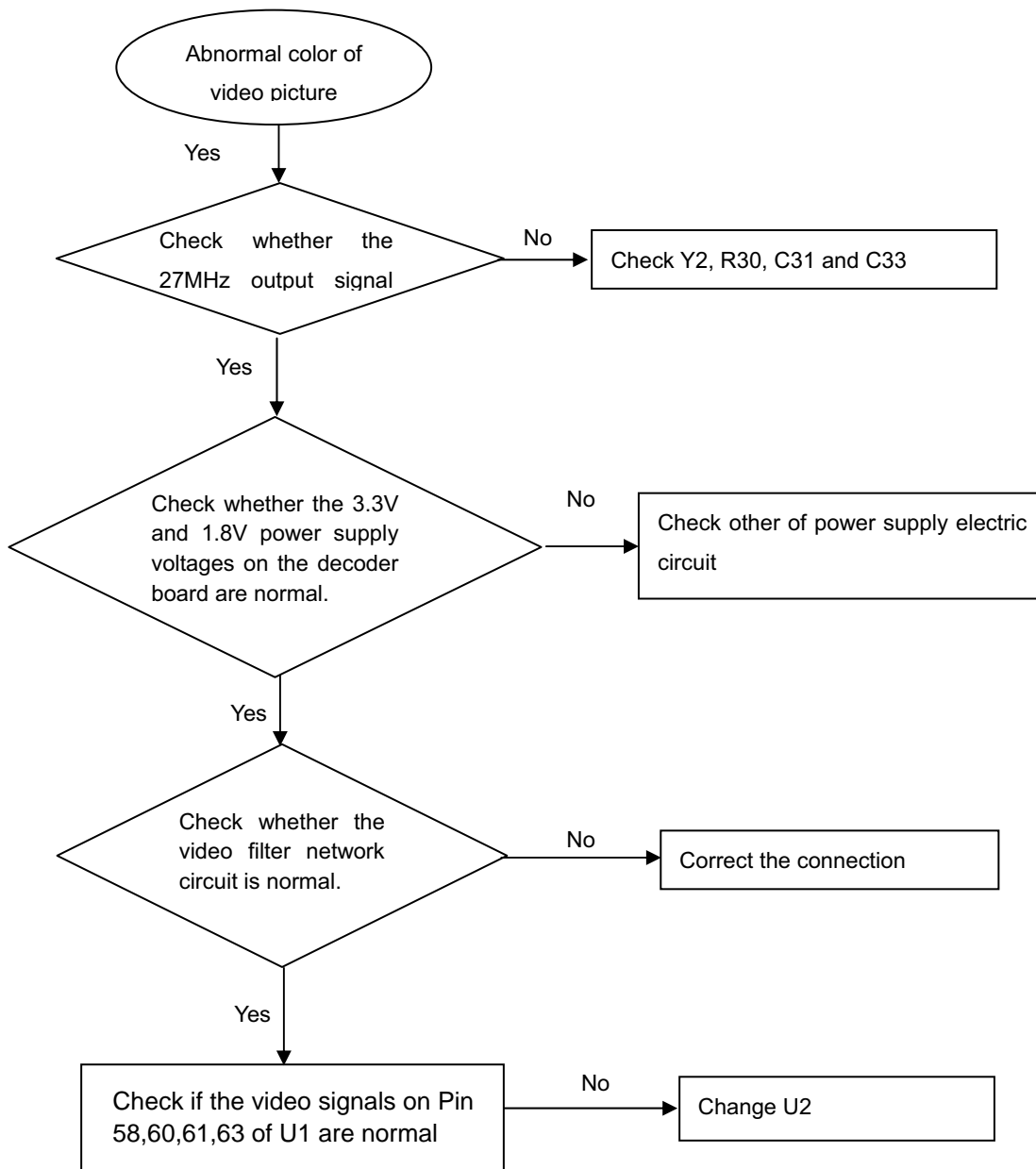
Only DVD disc or only disc except DVD can be played

No display on LED, and buttons do not work

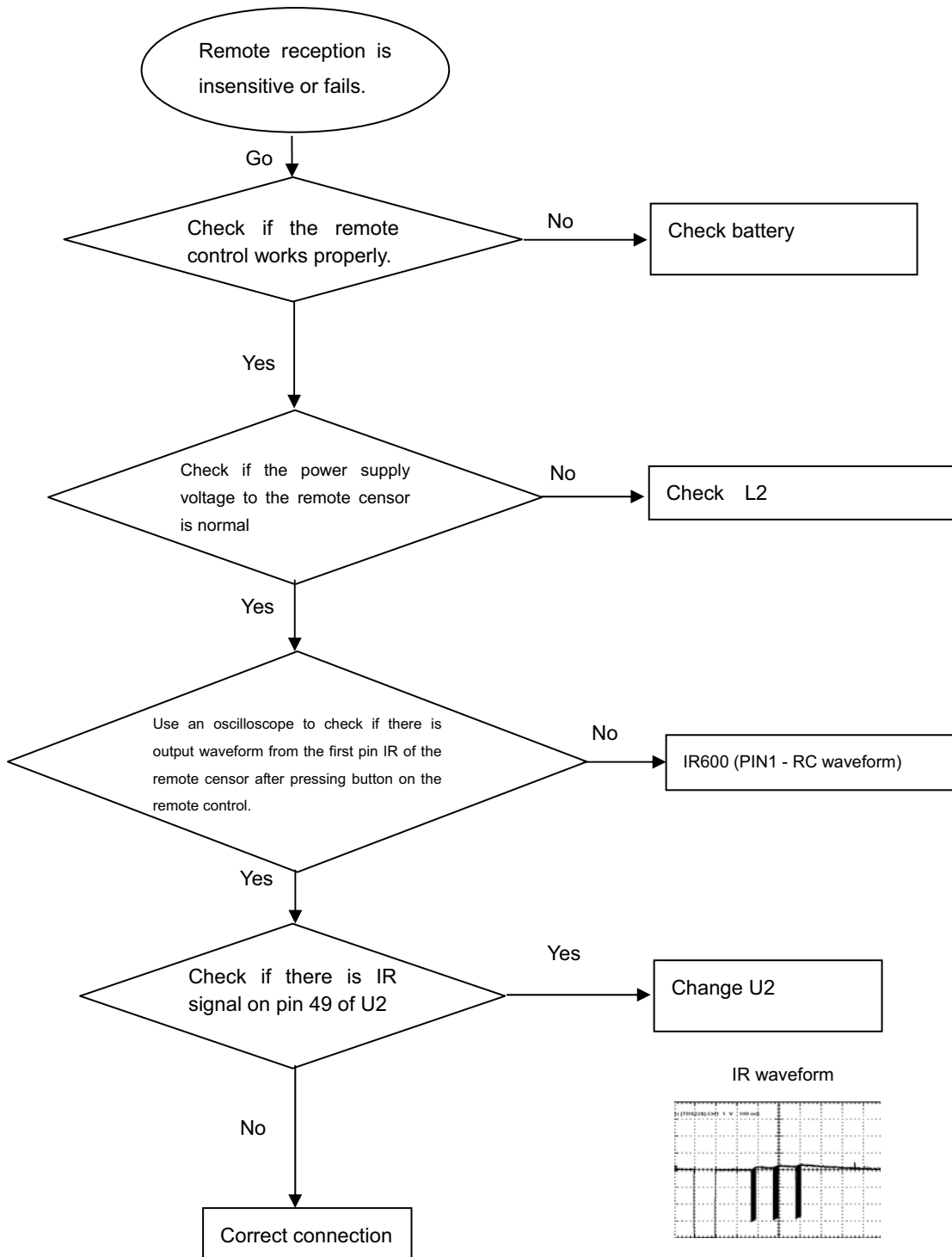


Distorted audio and loud noise

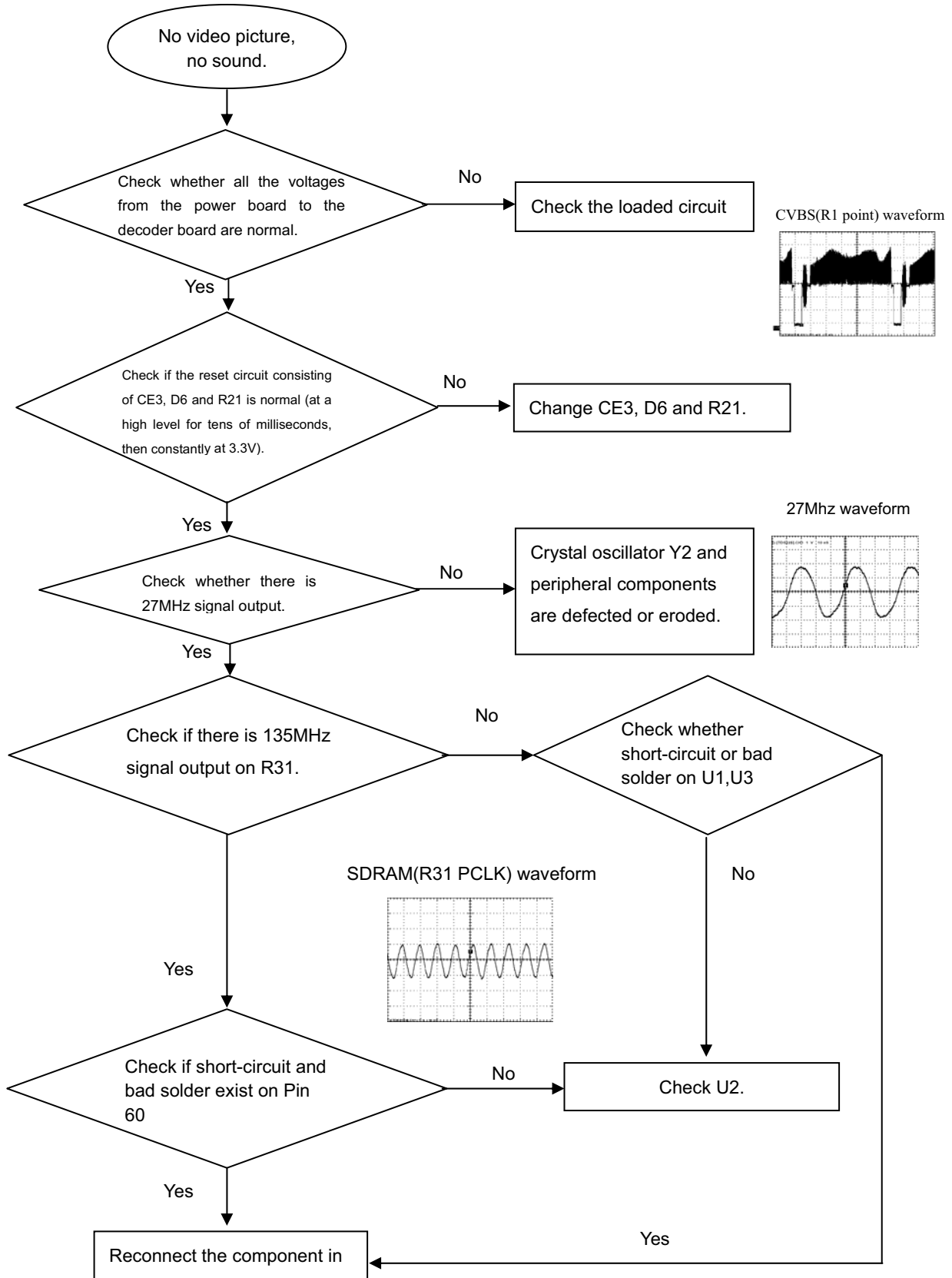
Abnormal color of video picture



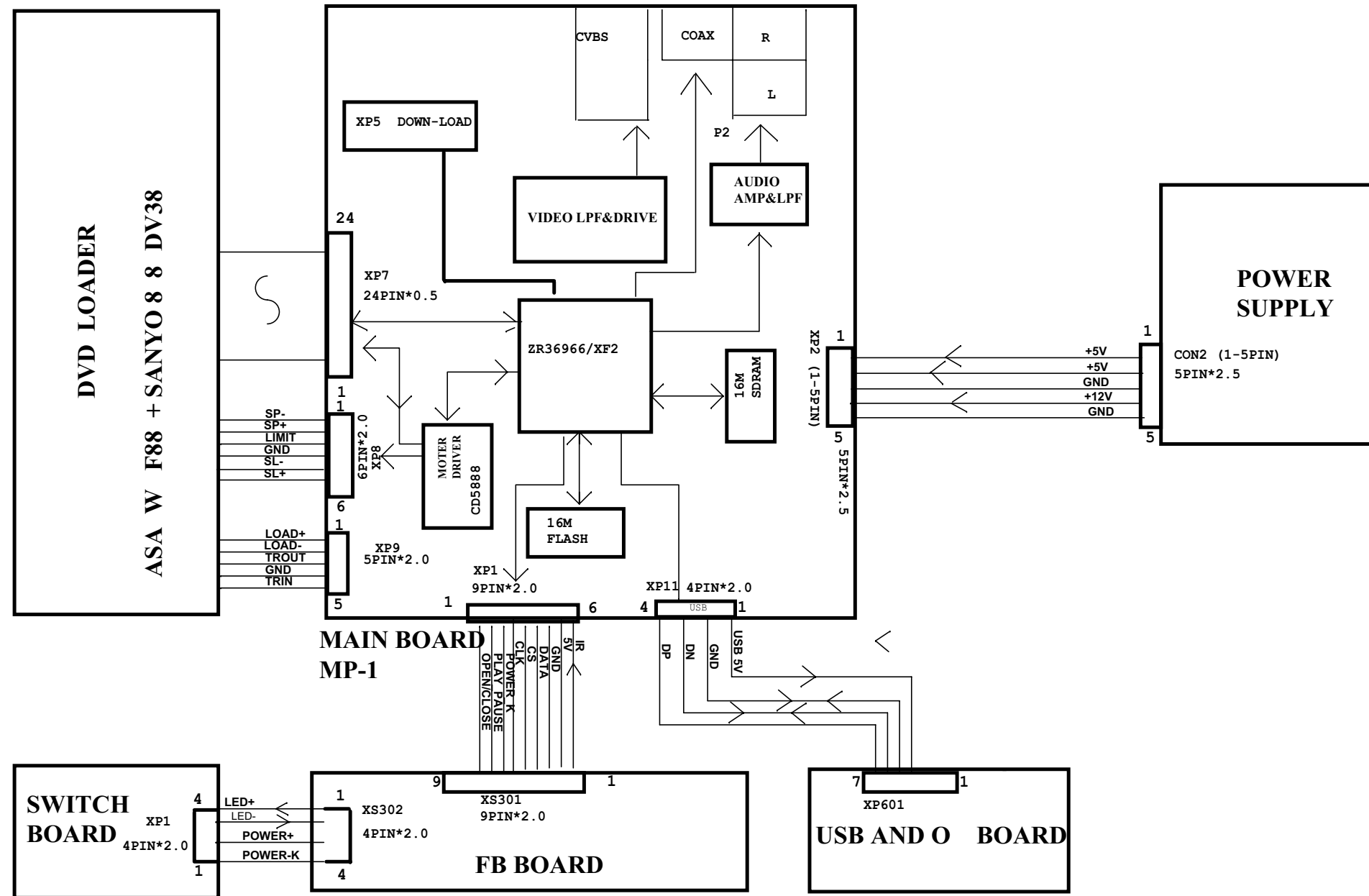
Remote reception is insensitive or fails.



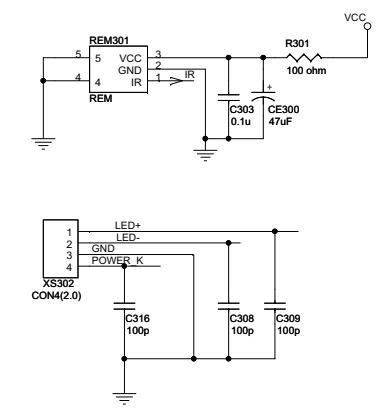
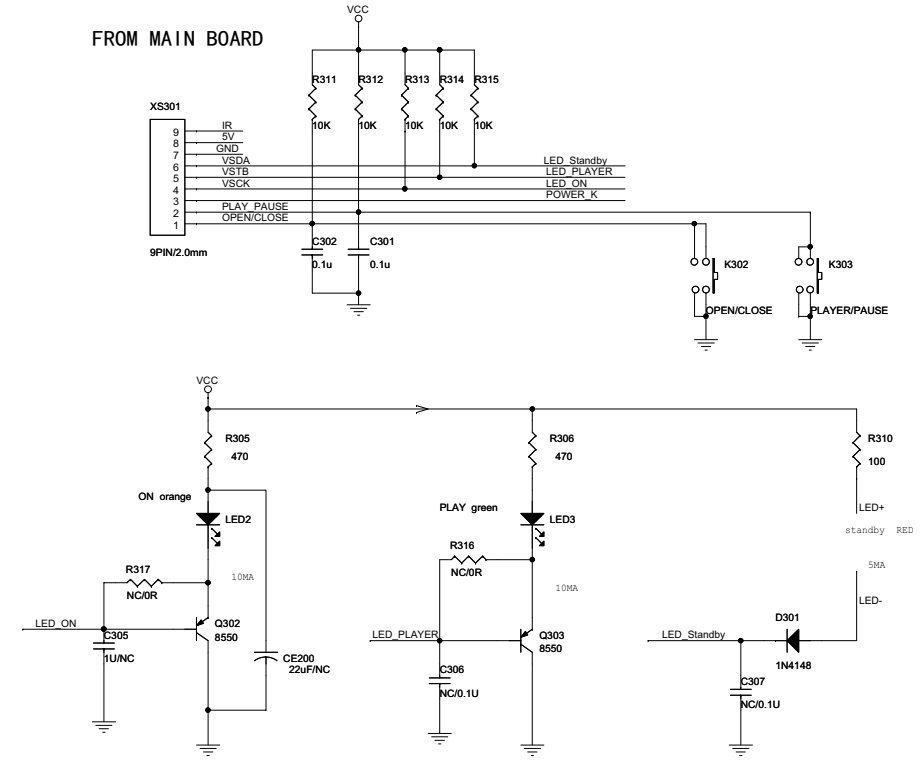
No video picture, no sound.



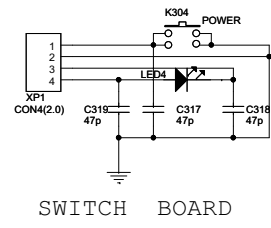
DVP3111 (2CH) WIRING DIAGRAM
DVP3300 (X) (2CH+USB) WIRING DIAGRAM



Front Board Circuit Diagram:



Switch Board Circuit Diagram:



SWITCH BOARD

1

1

2

2

3

3

4

4

A

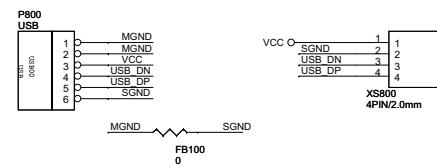
B

C

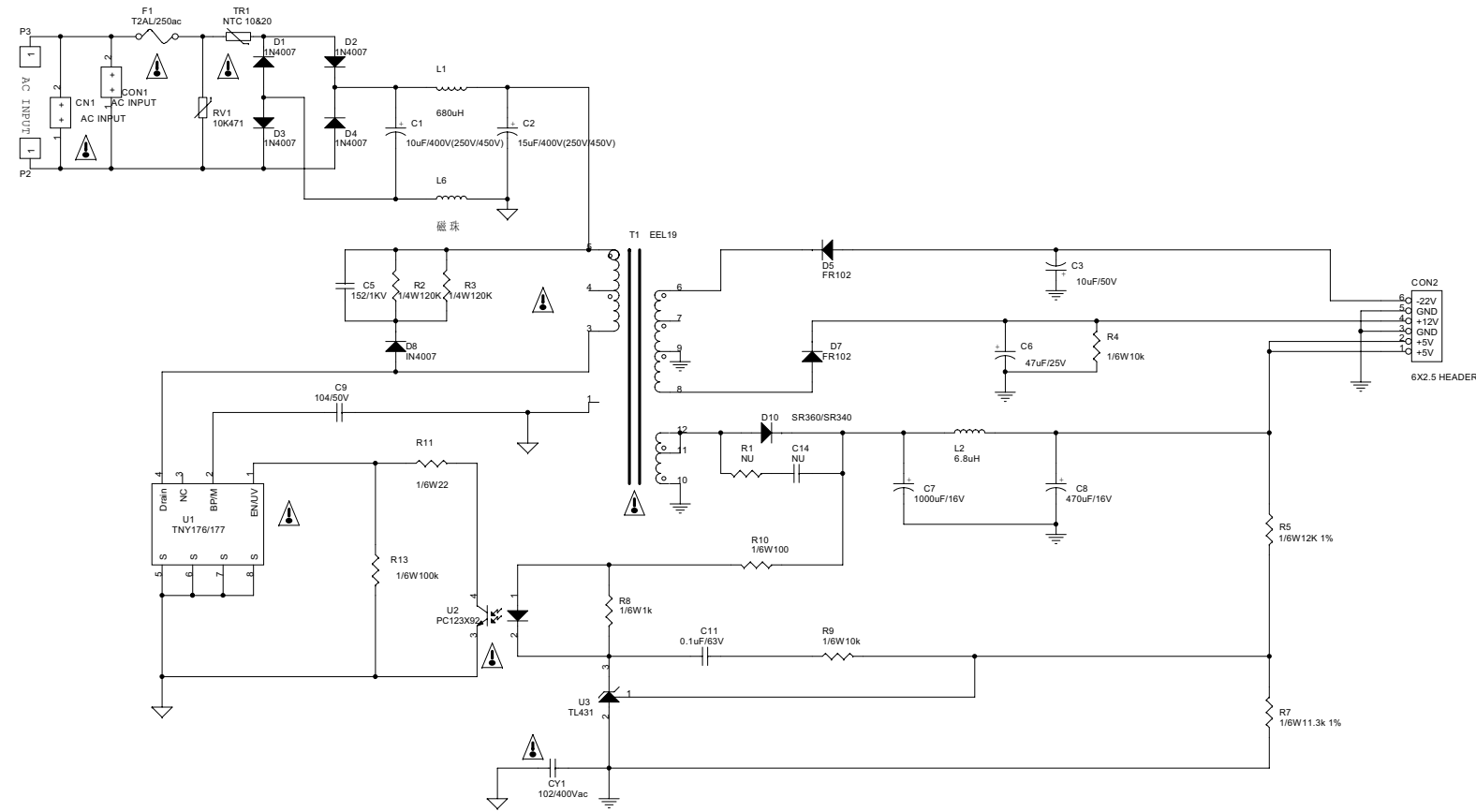
D


E

USB Board Circuit Diagram for DVP3300:

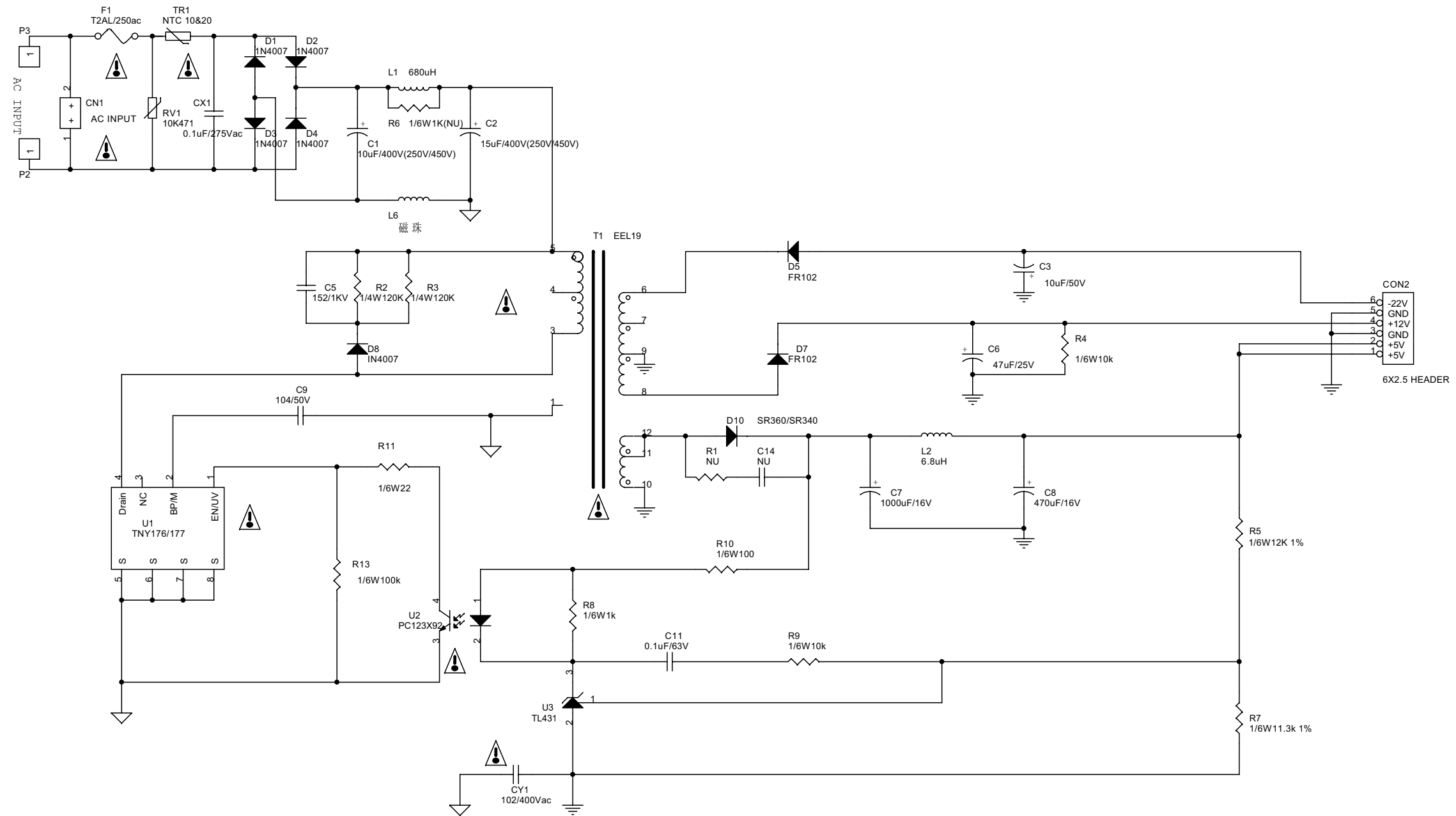



Power Board Circuit Diagram:



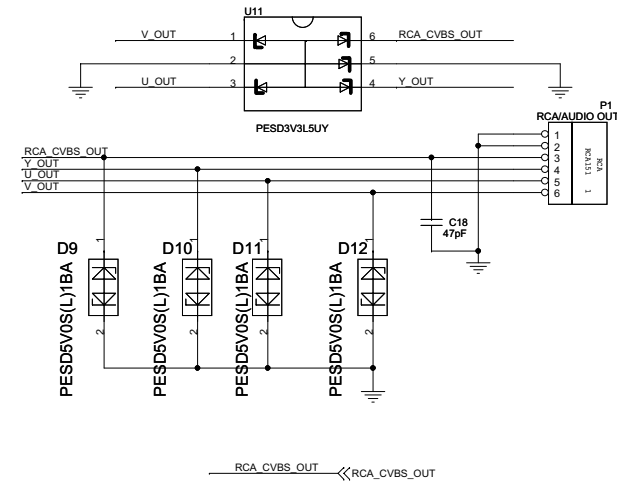
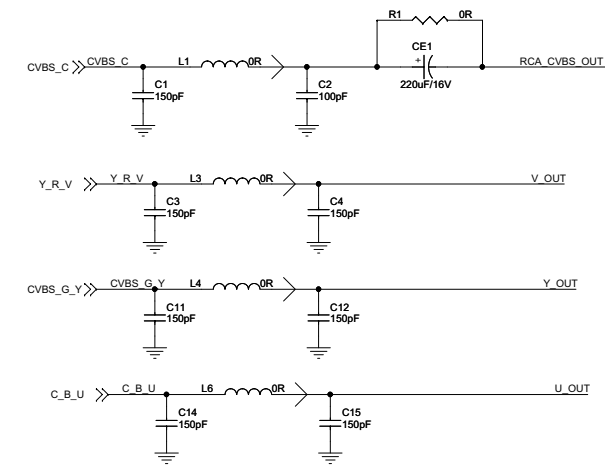
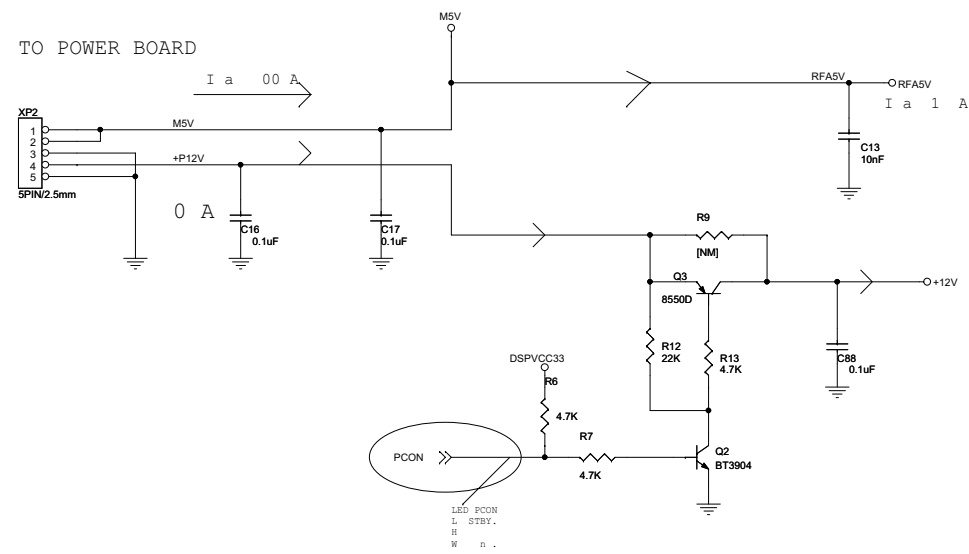
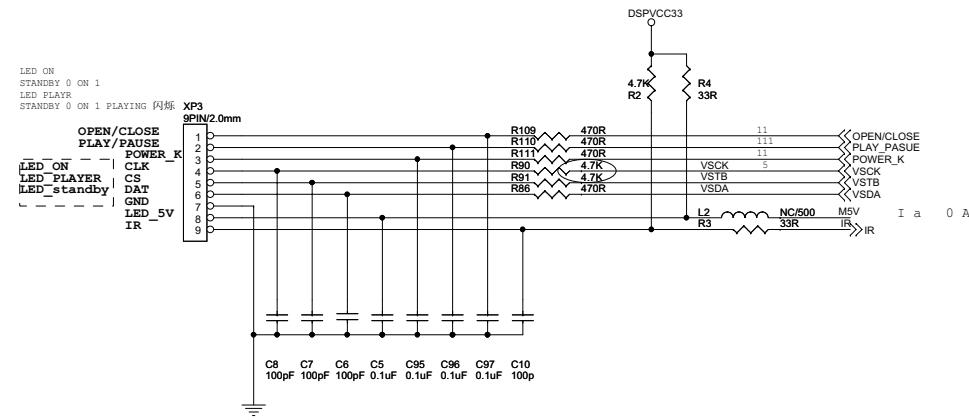
***CAUTION:**
 THE PARTS MARKED WITH  ARE IMPORTANT PARTS ON THE SAFETY.
 PLEASE USE THE PARTS HAVING THE DESIGNATED PARTS NUMBER WITHOUT FAIL.

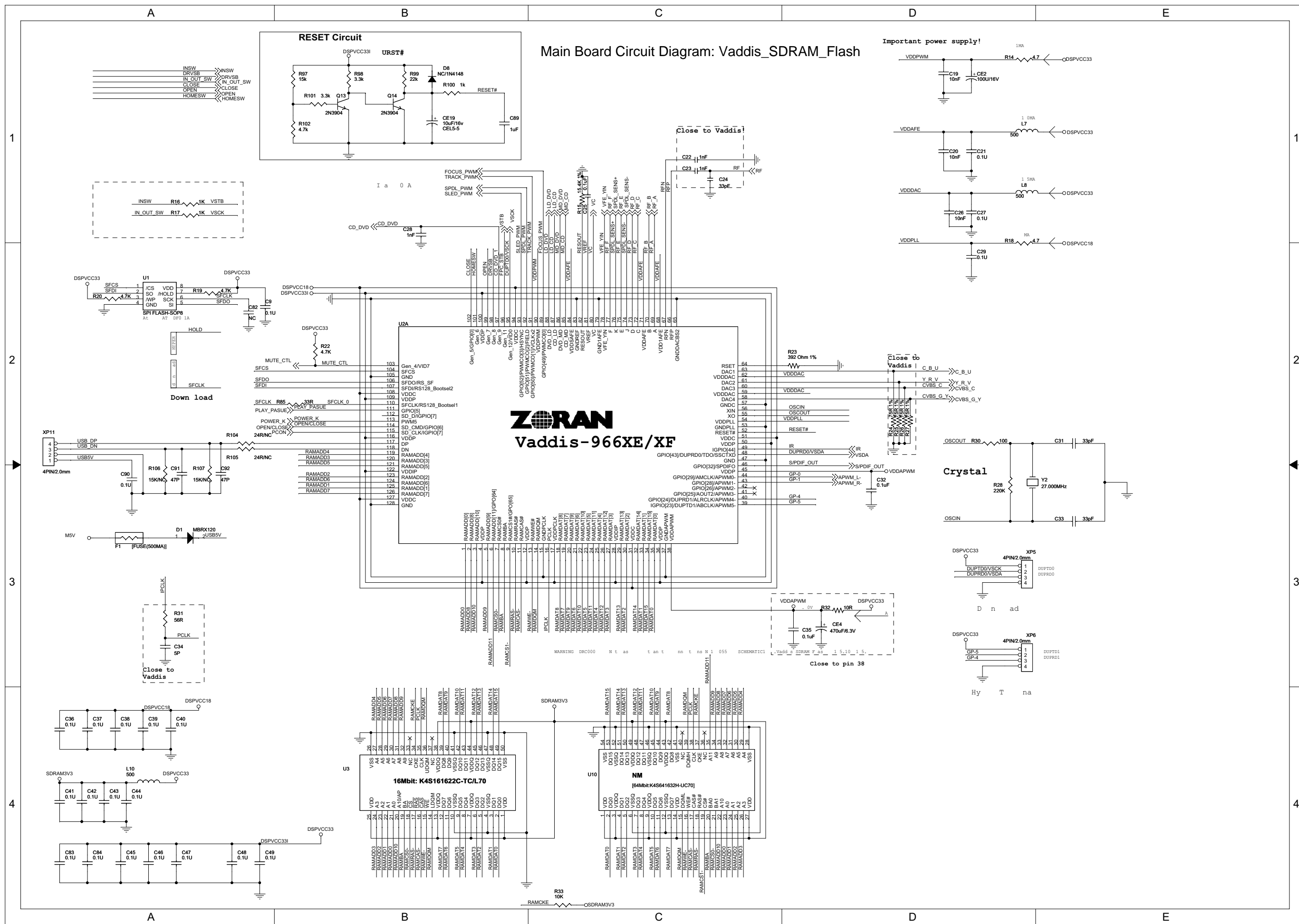
Power Board Electric Diagram for DVP3300X/96:



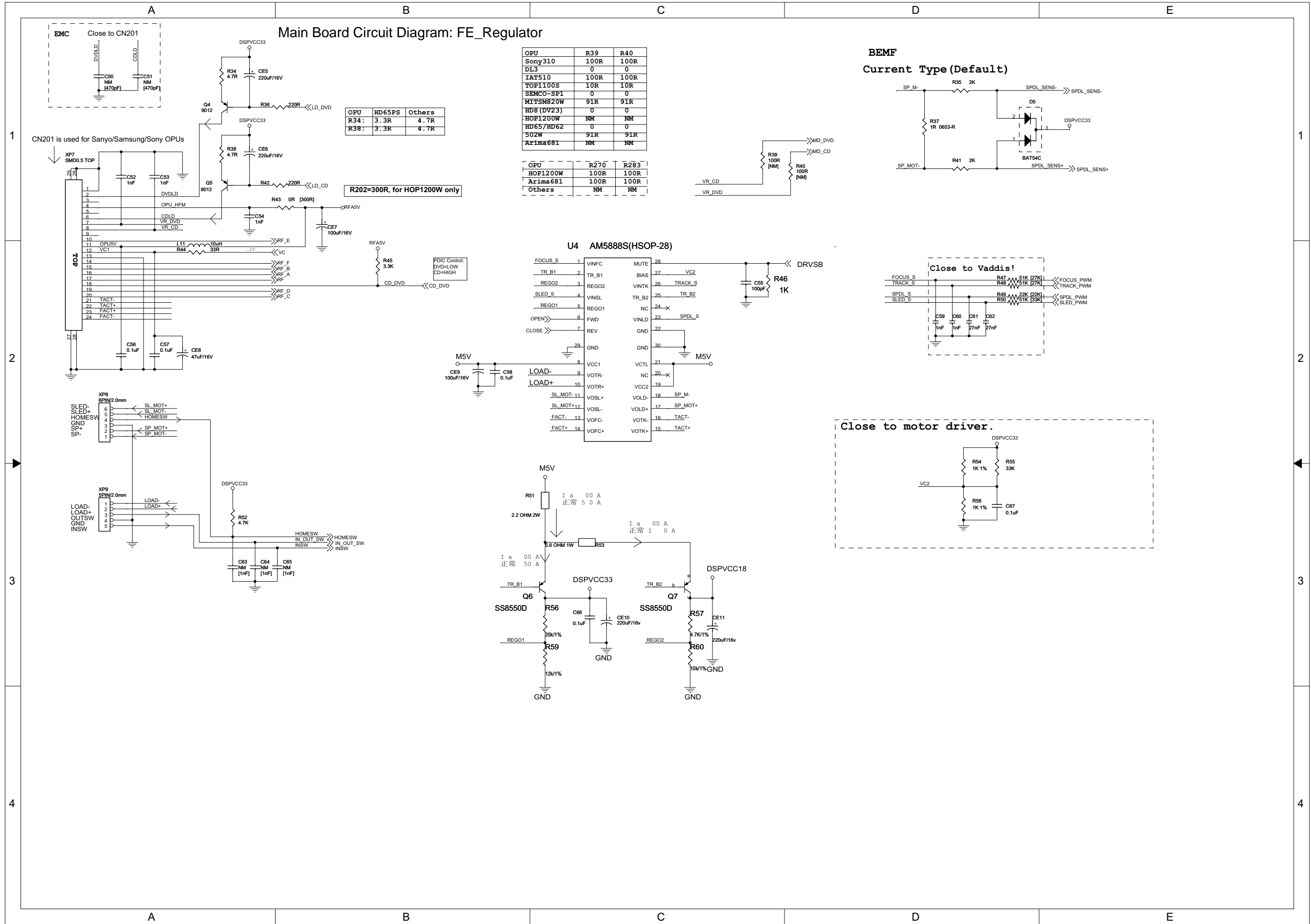
*** CAUTION :**
 THE PARTS MARKED WITH  ARE IMPORTANT PARTS ON THE SAFETY.
 PLEASE USE THE PARTS HAVING THE DESIGNATED PARTS NUMBER WITHOUT FAIL.

Main Board Circuit Diagram: POWER





Main Board Circuit Diagram: FE_Regulator

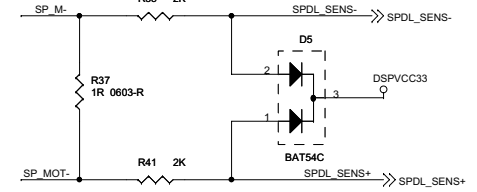


OPU	R39	R40
Sony310	100R	100R
DL3	0	0
IAT510	100R	100R
TOP1100S	10R	10R
SEMCO-SP1	0	0
MITSM820W	91R	91R
HD8 (DV23)	0	0
HOP1200W	NM	NM
HD65/HD62	0	0
502W	91R	91R
Arima681	NM	NM

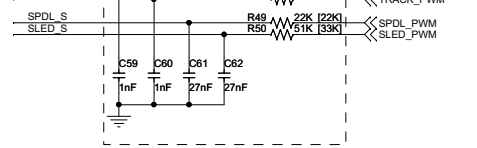
OPU	HD65PS	Others
R34:	3.3R	4.7R
R38:	3.3R	4.7R

OPU	R270	R283
HOP1200W	100R	100R
Arima681	100R	100R
Others	NM	NM

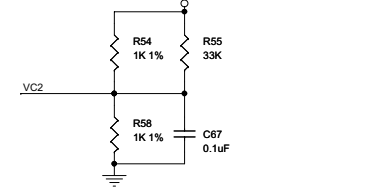
BEMF Current Type (Default)



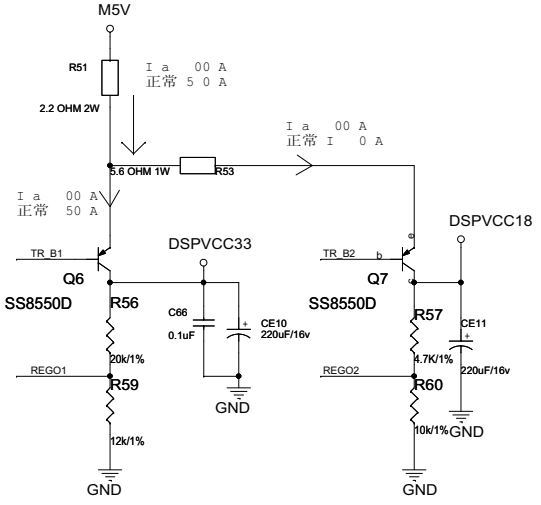
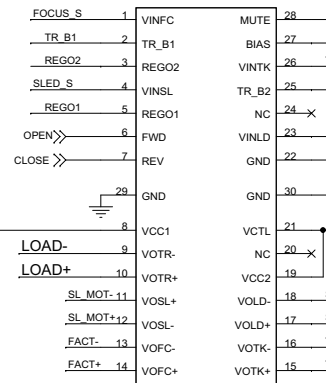
Close to Vaddis!



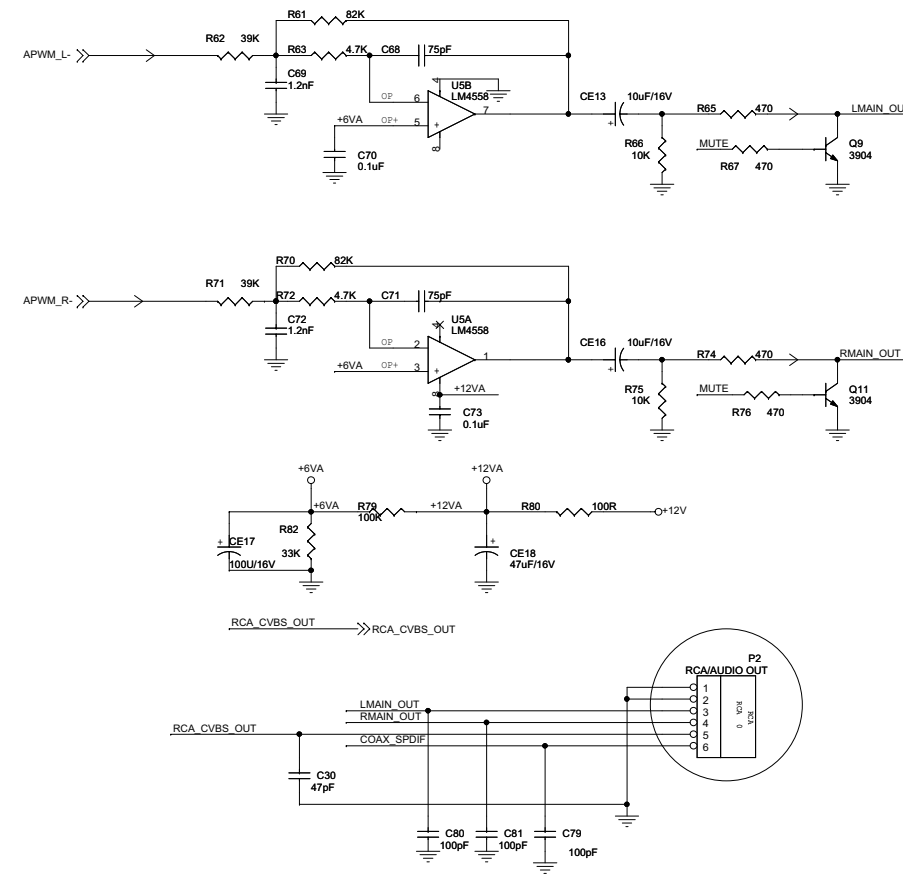
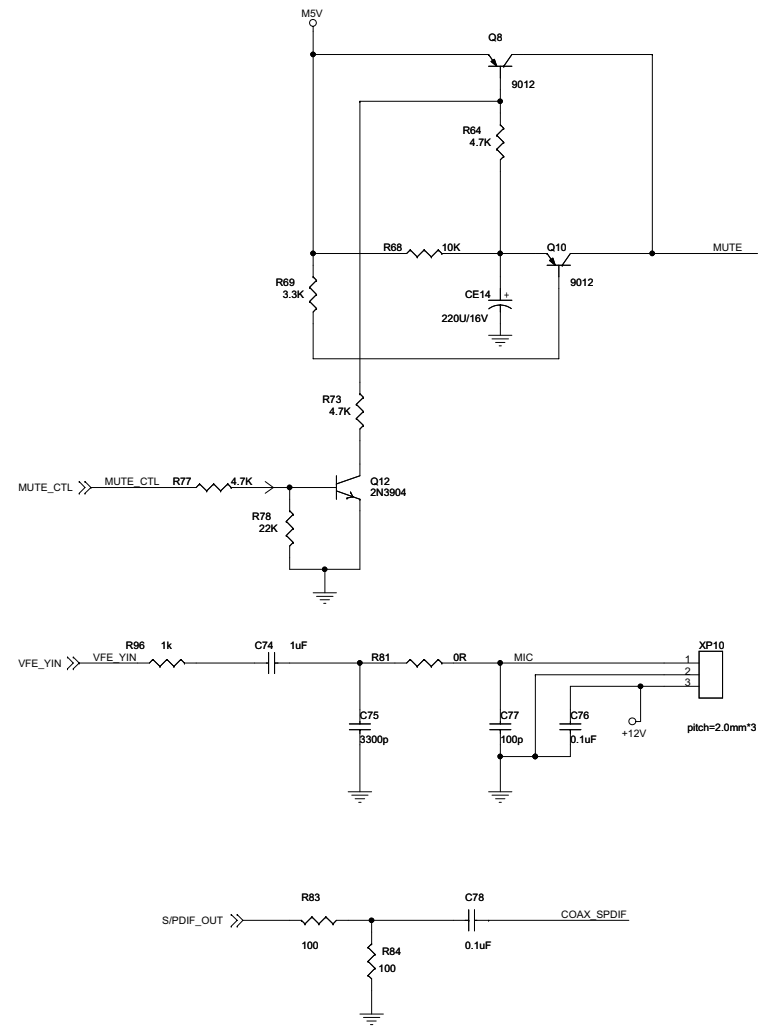
Close to motor driver.



U4 AM5888S(HSOP-28)



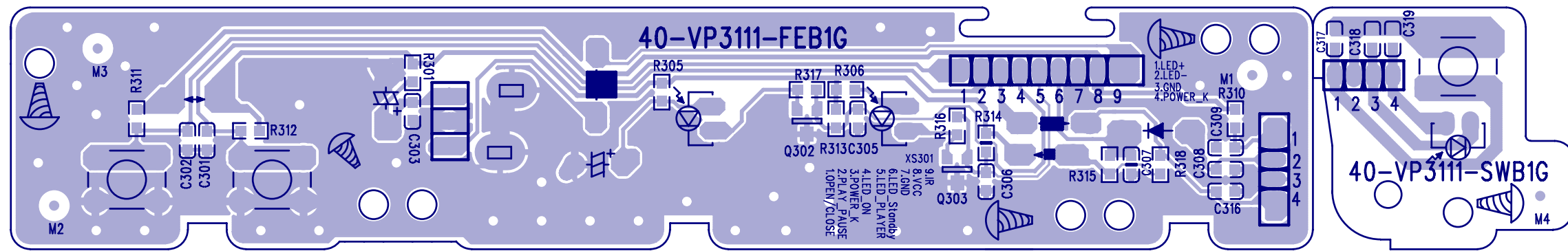
Main Board Circuit Diagram: Audio_Input_Output



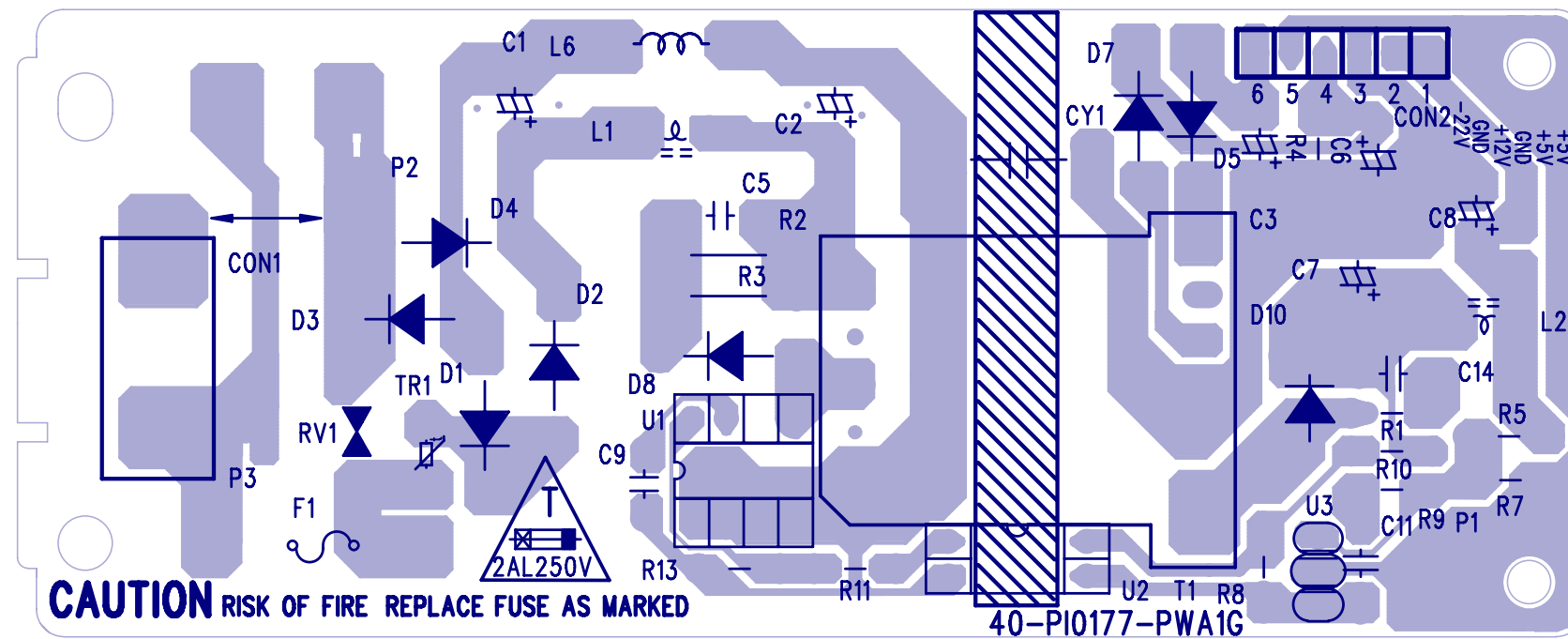
1
2
3
4

1
2
3
4

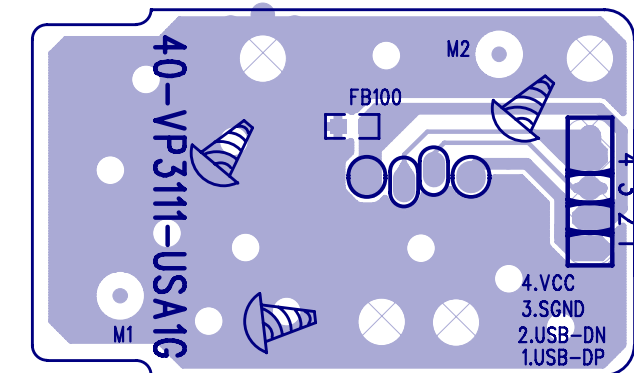
Front Board and Switch Board Print-layout (Bottom side):



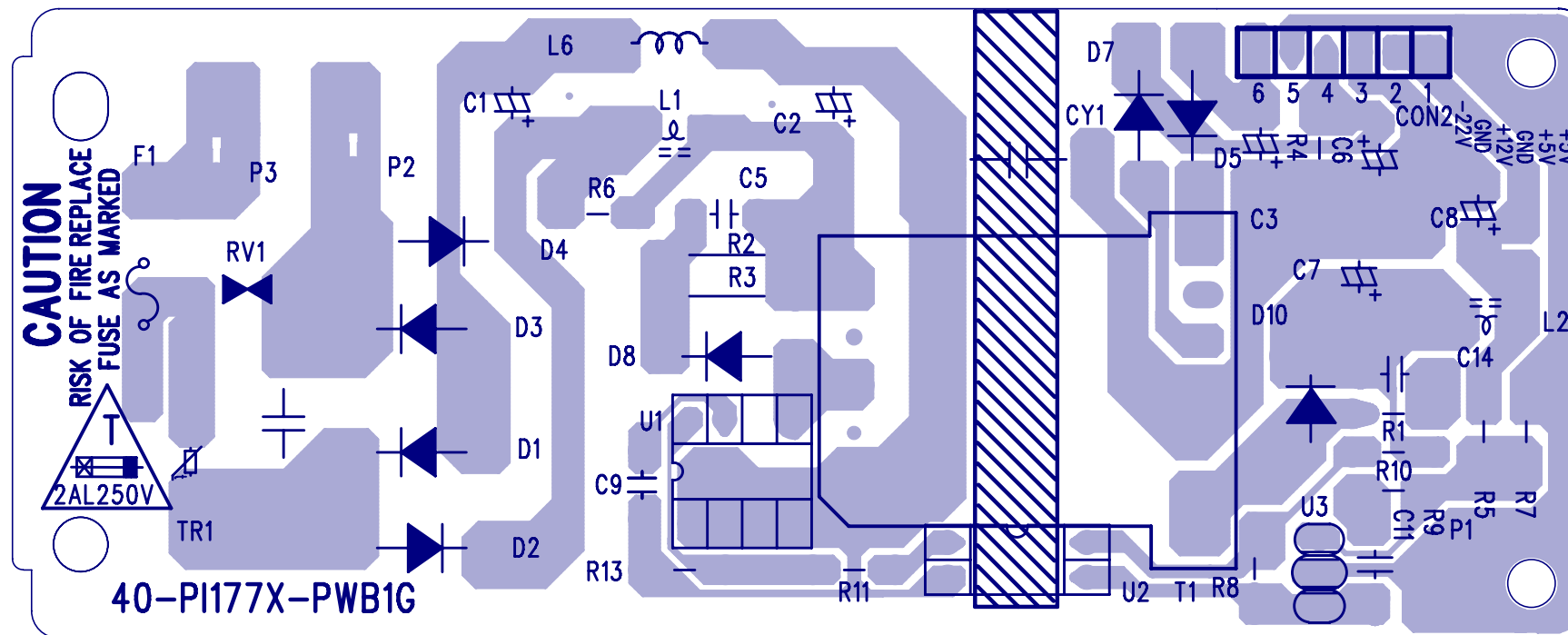
Power Board Print-layout (Bottom side):



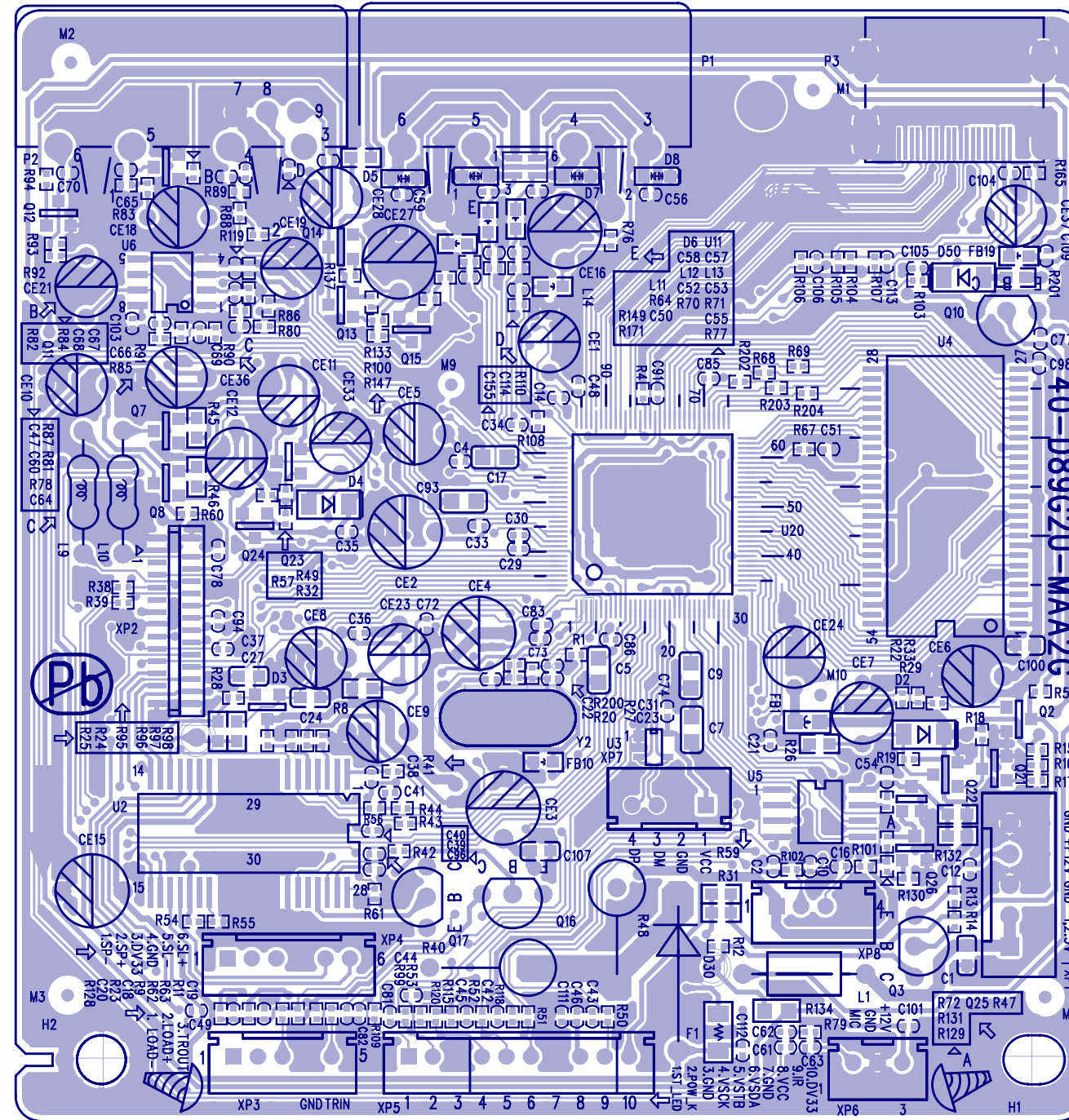
USB Board Print-layout (Bottom side) for DVP3300:



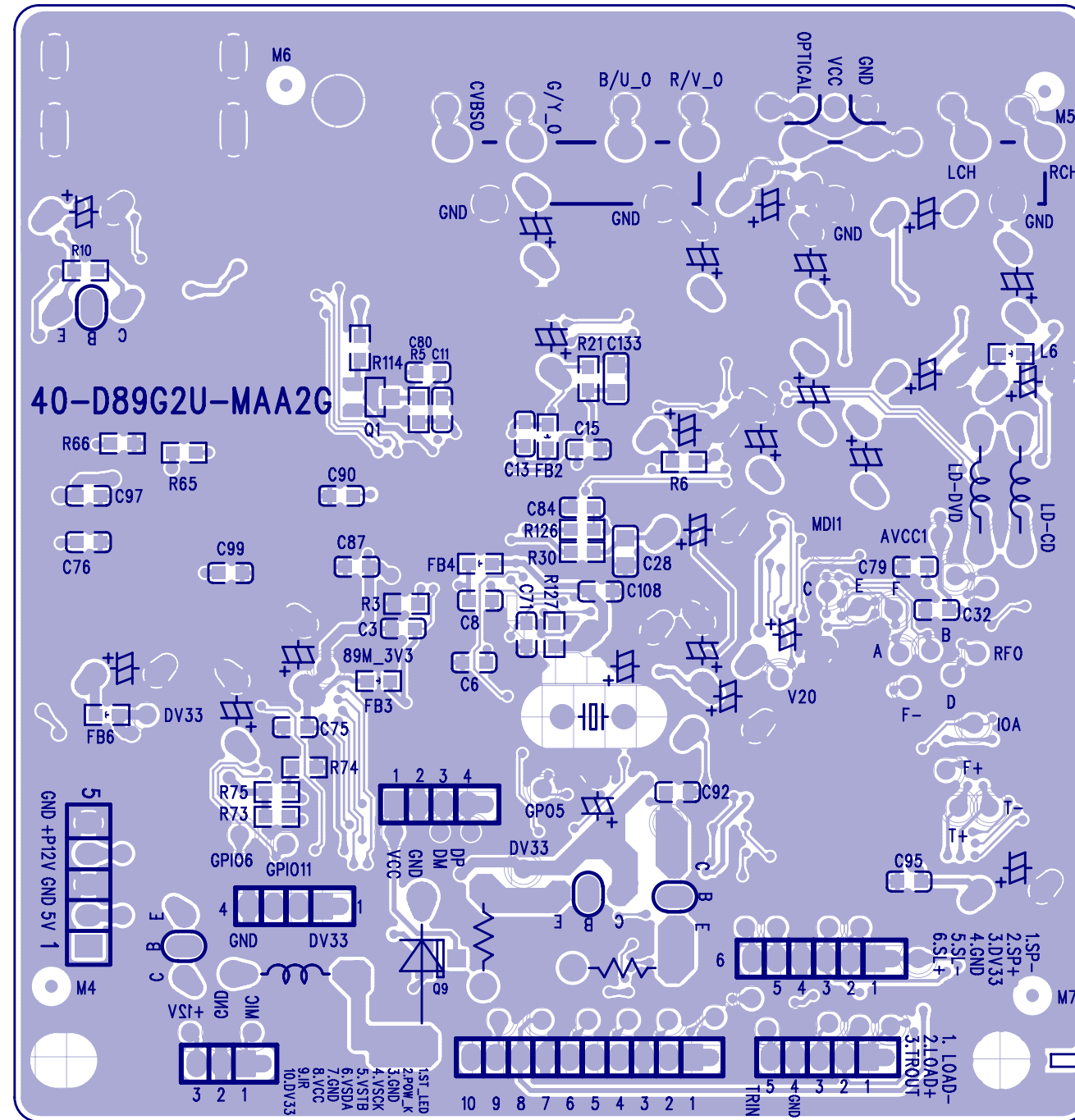
Power Board Print-layout for DVP3300X/96 (Bottom side):



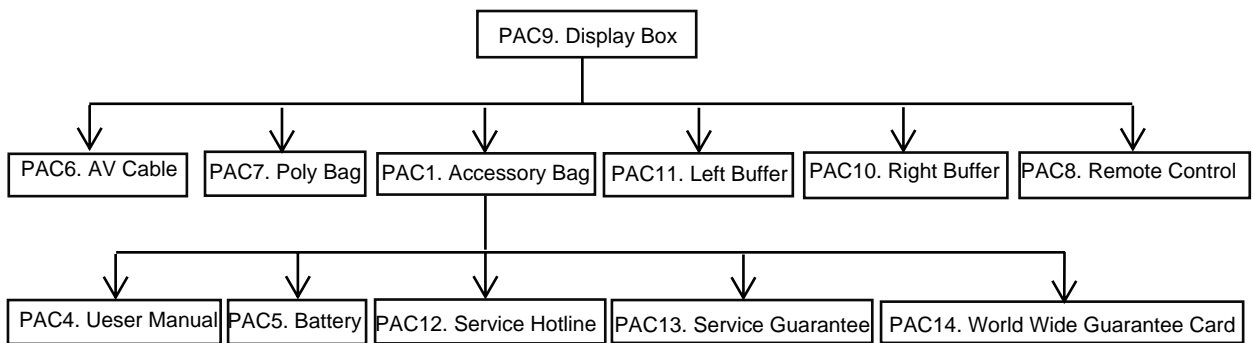
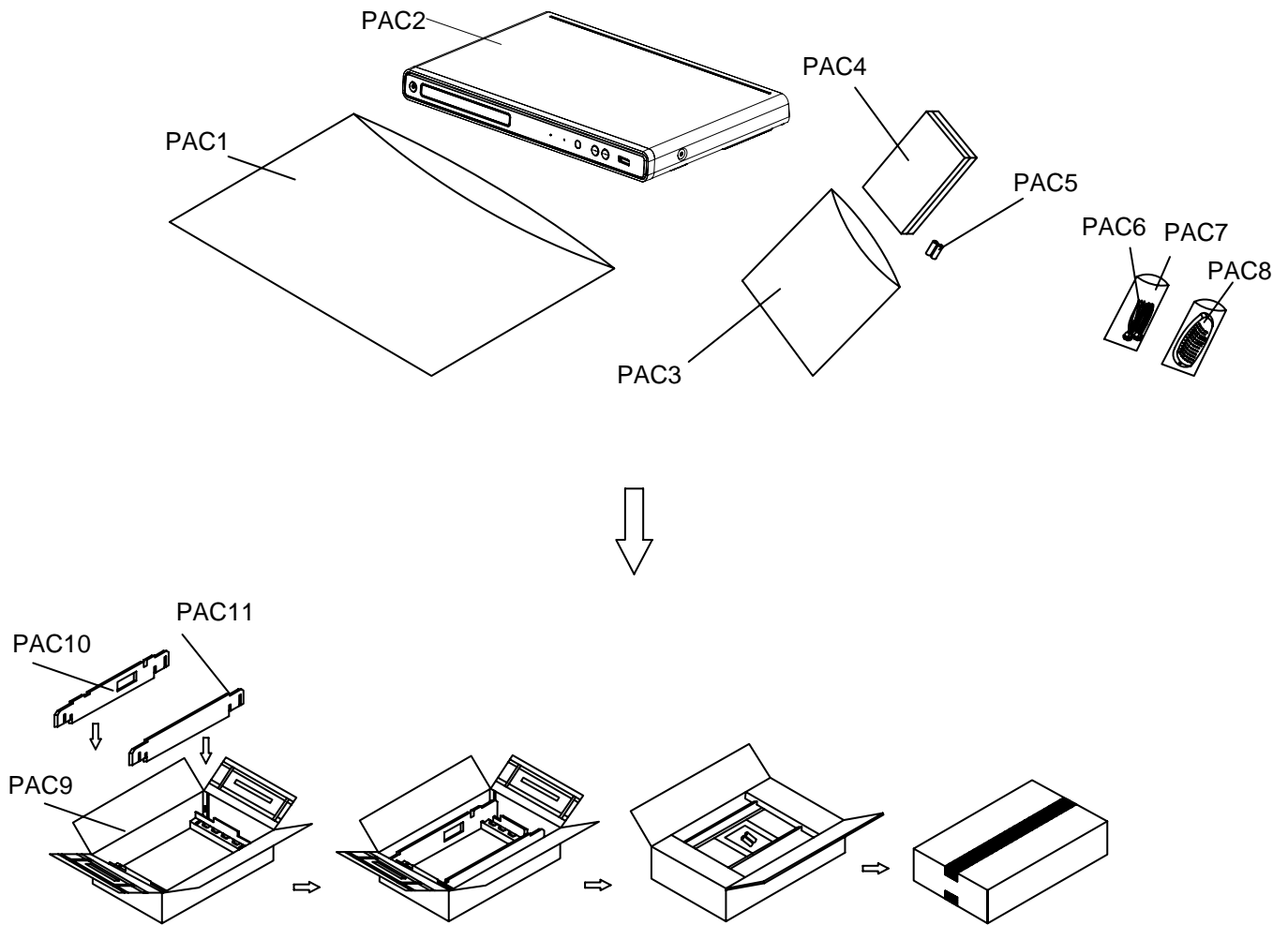
Main Board Print-layout (Top side):



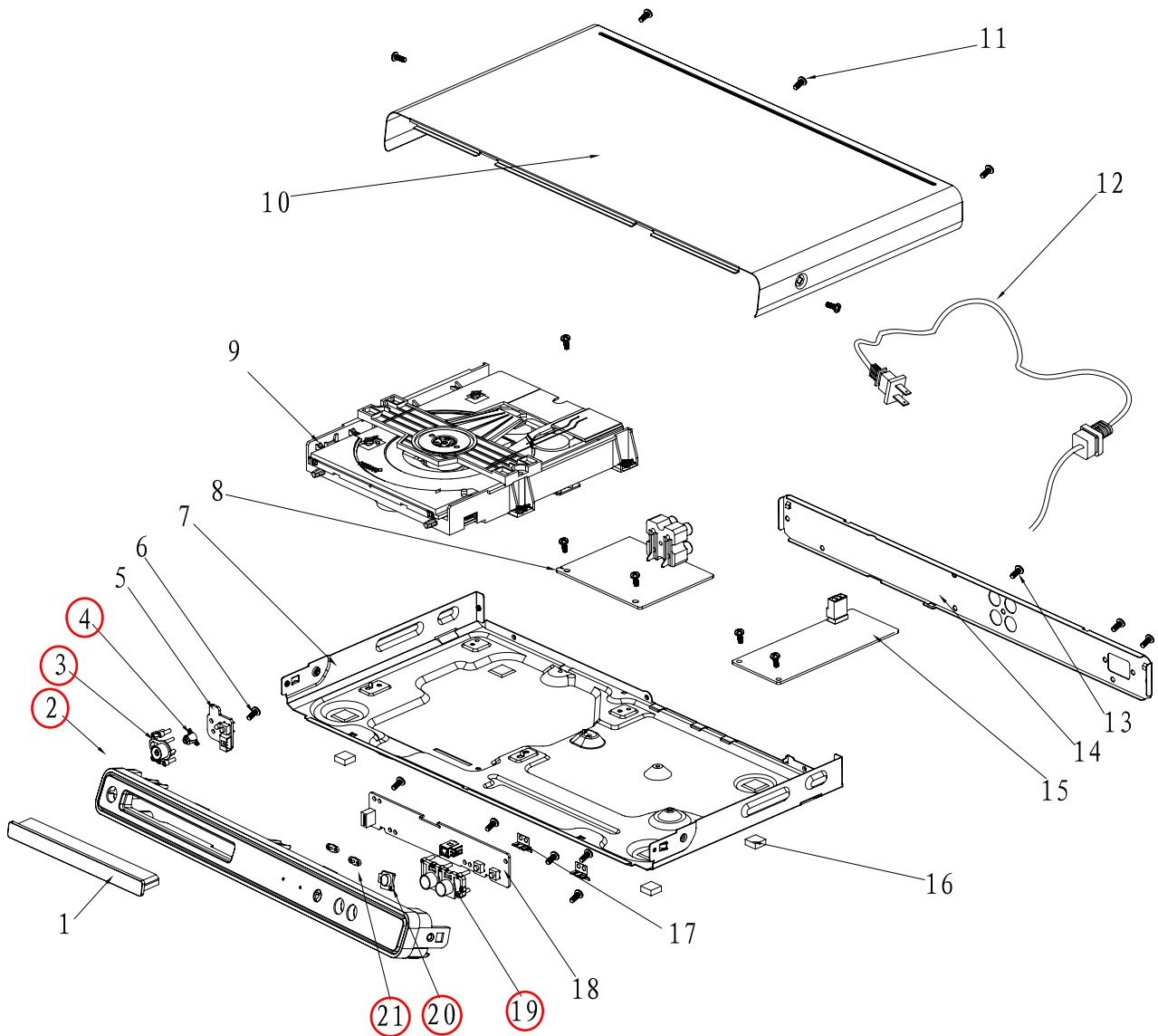
Main Board Print-layout (Bottom side):



DVP3300/93 Packing View:



Exploded view for DVP3111/55:



It's a general mechanical exploded view for DVP3111/55, pls refer to model set for detailed information.
 ASSY1 includes components: 2.3.4.19.20.21

DVP3111/55 SERVICE PARTLIST

ELECTRICAL PARTLIST

No	12NC No.	Description	Q'ty
8	996510029487	ASSY-MAIN BD	1
△ 15	996510022923	ASSY-PW BD	1
18	996510029497	ASSY-FB BD	1
5	996510029486	ASSY-SW BD	1
9	996510029491	LOADER	1
OPU	996510021449	SANYO LOADER (DV38)	1

ASSY-MAIN BD COMPONENT PARTLIST

No	12NC No.	Description	Q'ty
D5	996510009668	BAT54C	1
D9	996510020926	IC PESD5V0S1BA	1
Q10	996510009670	TRANSISTOR SMT 3CG9012M	1
Q11	996510009669	SMD.TRANSISTOR MMBT3904LT1 NPN	1
Q12	996510009669	SMD.TRANSISTOR MMBT3904LT1 NPN	1
Q13	996510009669	SMD.TRANSISTOR MMBT3904LT1 NPN	1
Q14	996510009669	SMD.TRANSISTOR MMBT3904LT1 NPN	1
Q2	996510009669	SMD.TRANSISTOR MMBT3904LT1 NPN	1
Q3	996510009671	PNP TRANSISTOR	1
Q4	996510021453	SMD. TRANSISTOR MMBT8550CLT1	1
Q5	996510021453	SMD. TRANSISTOR MMBT8550CLT1	1
Q6	996510009671	PNP TRANSISTOR	1
Q7	996510009671	PNP TRANSISTOR	1
Q8	996510009670	TRANSISTOR SMT 3CG9012M	1
Q9	996510009669	SMD.TRANSISTOR MMBT3904LT1 NPN	1
U1	996510020916	16M SPI FLASH EON	1
U2	996510029496	ZR36966PQCG-XF2	1
U3	996510029495	16M BIT SDRAM ISC42S16100E-7TL	1
U4	996510011055	IC CD5888CB	1
U5	996510010924	Dual operational amplifier	1
Y2	996510009675	27MCL20PF	1

ASSY-PW BD COMPONENT PARTLIST

No	12NC No.	Description	Q'ty
D1	996510011047	DIODE IN4007	1
D10	996500027866	DIODE SR360 3A/60V	1
D2	996510011047	DIODE IN4007	1
D3	996510011047	DIODE IN4007	1
D4	996510011047	DIODE IN4007	1
D7	996500014043	DIODE FR102 (FAST RECOVERY)	1
D8	996510011047	DIODE IN4007	1
L1	996510009942	COIL WIDTH	1
L2	996500032509	COIL SL0811-6R8K2R4	1
T1	996510010954	TRANSFORMER CONV	1
U1	996510010953	IC TNY176PN	1
U2	996500027867	PHOTOCOUPLER PS2561L1-1-V(WF)	1
U3	996500014609	IC AM431LP	1

ASSY-FB BD COMPONENT PARTLIST

No	12NC No.	Description	Q'ty
LED2	996500034464	LED BT-102D-31	1
LED3	996500034464	LED BT-102D-31	1
REM301	996510020925	HM338-12 RECEIVER MOD H=12MM	1

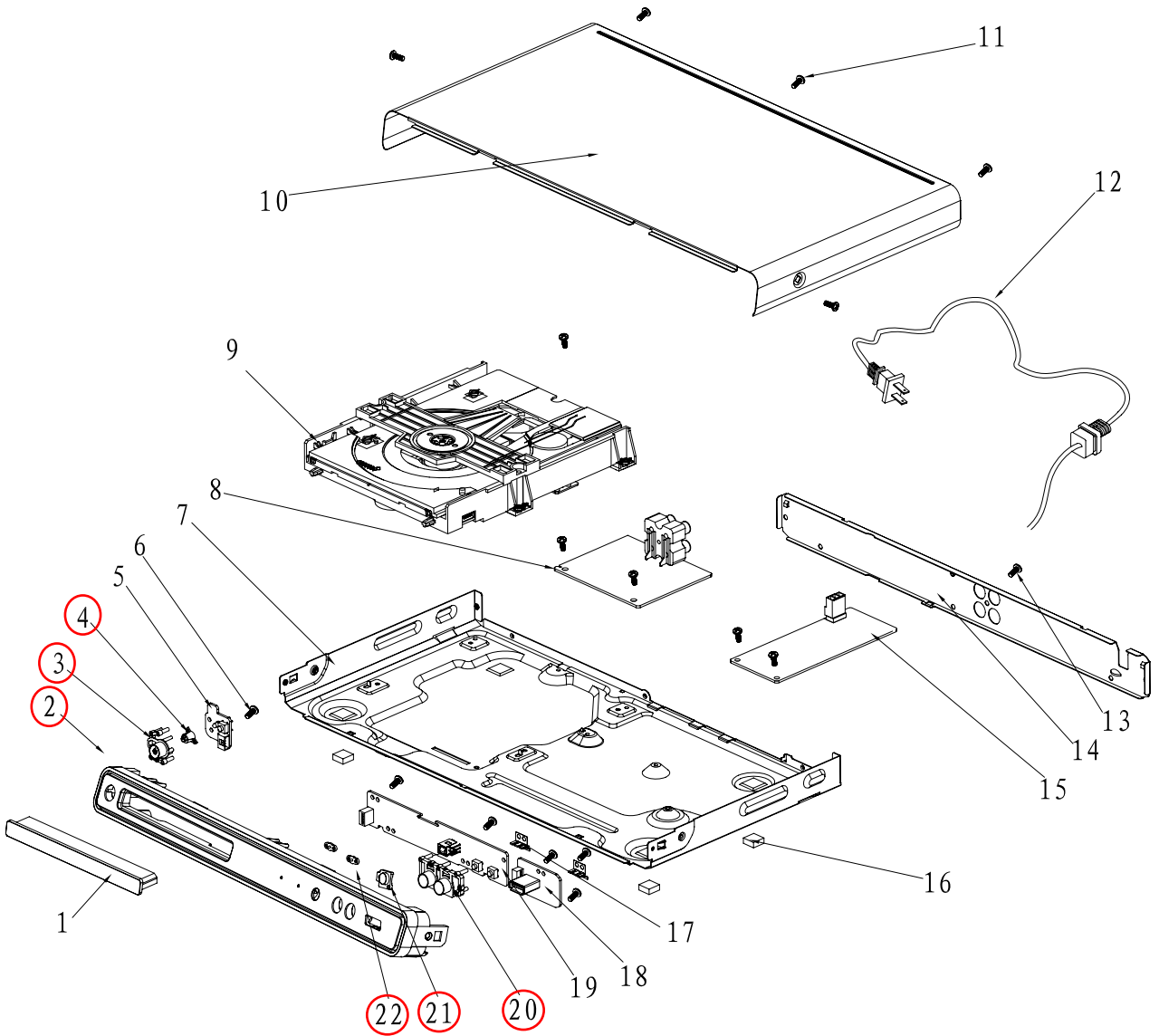
MECHANICAL PARTLIST

No	12NC No.	Description	Q'ty
1	996510029493	FRONT DOOR	1
10	996510029494	TOP CABINET	1
△ 12	996510001175	POWER CORD	1
14	996510029513	BACK PANEL	1
16	996510006463	PAD	4
△ 7	996510027099	BOTTOM PLATE	1
AVCABLE	996510001106	VIDEO CABLE 1500mm	1
Assy1	996510029512	FRONT PANEL ASSY	1
CON2	996510021451	HS 3P TJC-3Y/SCN-3Y L=80MM	1
DBOX	996510029489	DISPLAY BOX	1
△ PSOCKET	996510020885	POWER SOCKET transition	1
RC	996510029498	REMOTE CONTROL	1
XP1	996510029492	4PIN CABLE	1
XP7	996510001168	24PIN HS	1
XP8	996510021448	6PIN HS	1
XP9	996510004063	CABLE PH-5Y/PH-5Y L=130MM	1
XS301	996510029488	CABLE 9PIN 140MM FH-JC20	1

SCREWS LIST:

No	12NC No.	Description	Q'ty
6	—	S/T SCREW B 2.6 X 8 BF	4
11	—	S/T SCREW B3 X 6 BF	9
13	—	S/T SCREW B 3 X 7 BF	4

Exploded view for DVP3300/93 and DVP3300X/96:



It's a general mechanical exploded view for DVP3300/93 and DVP3300X/96, Pls refer to the Model set for detailed information.
ASSY1 includes components: 2.3.4.20.21.22

DVP3300/93 SERVICE PARTLIST

ELECTRICAL PARTLIST

No	12NC No.	Description	Qty
8	996510029525	ASSY-MAIN BD	1
△ 15	996510021465	ASSY-PW BD	1
18	996510029526	ASSY-USB BD	1
19	996510029497	ASSY-FB BD	1
5	996510029486	ASSY-SW BD	1
9	996510029491	LOADER	1
OPU	996510021449	SANYO LOADER (DV38)	1

ASSY-MAIN BD COMPONENT PARTLIST

No	12NC No.	Description	Qty
D1	996510022393	SMD. DIODE MBRX140	1
D5	996510009668	BAT54C	1
D9	996510020926	IC PESD5V0S1BA	1
Q10	996510009670	TRANSISTOR SMT 3CG9012M	1
Q11	996510009669	SMD.TRANSISTOR MMBT3904LT1 NPN	1
Q12	996510009669	SMD.TRANSISTOR MMBT3904LT1 NPN	1
Q13	996510009669	SMD.TRANSISTOR MMBT3904LT1 NPN	1
Q14	996510009669	SMD.TRANSISTOR MMBT3904LT1 NPN	1
Q2	996510009669	SMD.TRANSISTOR MMBT3904LT1 NPN	1
Q3	996510009671	PNP TRANSISTOR	1
Q4	996510021453	SMD. TRANSISTOR MMBT8550CLT1	1
Q5	996510021453	SMD. TRANSISTOR MMBT8550CLT1	1
Q6	996510009671	PNP TRANSISTOR	1
Q7	996510009671	PNP TRANSISTOR	1
Q8	996510009670	TRANSISTOR SMT 3CG9012M	1
Q9	996510009669	SMD.TRANSISTOR MMBT3904LT1 NPN	1
U1	996510020916	16M SPI FLASH EON	1
U2	996510029496	ZR36966PQCG-XF2	1
U3	996510029495	16M BIT SDRAM ISC42S16100E-7TL	1
U4	996510011055	IC CD5888CB	1
U5	996510010924	Dual operational amplifier	1
Y2	996510009675	27MCL20PF	1

ASSY-PW BD COMPONENT PARTLIST

No	12NC No.	Description	Qty
D1	996510011047	DIODE IN4007	1
D2	996510011047	DIODE IN4007	1
D3	996510011047	DIODE IN4007	1
D4	996510011047	DIODE IN4007	1
D8	996510011047	DIODE IN4007	1
D10	996500027866	DIODE SR360 3A/60V	1
D7	996500014043	DIODE FR102 (FAST RECOVERY)	1
L1	996510009942	COIL WIDTH	1
L2	996500032509	COIL SL0811-6R8K2R4	1
T1	996510010954	TRANSFORMER CONV	1
U1	996510010953	IC TNY176PN	1
U2	996500027867	PHOTOCOUPLER PS2561L1-1-V(WF)	1
U3	996500014609	IC AM431LP	1

ASSY-FB BD COMPONENT PARTLIST

No	12NC No.	Description	Qty
LED2	996500034464	LED BT-102D-31	1
LED3	996500034464	LED BT-102D-31	1
REM301	996510020925	HM338-12 RECEIVER MOD H=12MM	1

MECHANICAL PARTLIST

No	12NC No.	Description	Qty
1	996510029529	FRONT DOOR	1
10	996510029528	TOP CABINET	1
△ 12	996510021454	3C PLUG POWER CORD	1
14	996510029531	BACK PANEL	1
16	996510006463	PAD	4
△ 7	996510027099	BOTTOM PLATE	1
ABAG	996510018311	ACCESSORY BAG	1
AVCABLE	996510001106	VIDEO CABLE 1500mm	1
Assy1	996510029527	FRONT PANEL ASSY	1
CON2	996510021451	HS 3P TJC-3Y/SCN-3Y L=80MM	1
DBOX	996510029533	DISPLAY BOX COLOR	1
GRANTEE	996500033761	SERVICE GUARANTEE	1
LBUFFER	996510020937	LEFT CARD	1
LEAFLET	996510029524	WARRANTY LEAFLET	1
PBAG	996510019879	POLY BAG	1
QSG	996510029532	QSG	1
RBUFFER	996510021008	RIGHT CARD	1
RC	996510029523	REMOTE CONTROL	1
SHOTLINE	996500042132	SERVICE HOT LINE	1
WCARD	996510019880	Worldwideguarantcard	1
XP1	996510029492	4PIN CABLE	1
XP7	996510001168	24PIN HS	1
XP8	996510021448	6PIN HS	1
XP9	996510004063	CABLE PH-5Y/PH-5Y L=130MM	1
XS301	996510029488	CABLE 9PIN 140MM FH-JC20	1
XS800	996510022394	4PIN CABLE WITH SHIELD L=180MM	1

SCREWS LIST:

No	12NC No.	Description	Qty
6	—	S/T SCREW B 2.6 X 8 BF	6
11	—	S/T SCREW B3 X 6 BF	9
13	—	S/T SCREW B 3 X 7 BF	4

DVP3300/96 SERVICE PARTLIST**ELECTRICAL PARTLIST**

No	12NC No.	Description	Qty
8	996510029525	ASSY-MAIN BD	1
△ 15	996510021485	ASSY-PW BD	1
18	996510029526	ASSY-USB BD	1
19	996510029497	ASSY-FB BD	1
5	996510029486	ASSY-SW BD	1
9	996510029491	LOADER	1
OPU	996510021449	SANYO LOADER (DV38)	1

ASSY-MAIN BD COMPONENT PARTLIST

No	12NC No.	Description	Qty
D1	996510022393	SMD. DIODE MBRX140	1
D5	996510009668	BAT54C	1
D9	996510020926	IC PDS5V0S1BA	1
Q10	996510009670	TRANSISTOR SMT 3CG9012M	1
Q11	996510009669	SMD.TRANSISTOR MMBT3904LT1 NPN	1
Q12	996510009669	SMD.TRANSISTOR MMBT3904LT1 NPN	1
Q13	996510009669	SMD.TRANSISTOR MMBT3904LT1 NPN	1
Q14	996510009669	SMD.TRANSISTOR MMBT3904LT1 NPN	1
Q2	996510009669	SMD.TRANSISTOR MMBT3904LT1 NPN	1
Q3	996510009671	PNP TRANSISTOR	1
Q4	996510021453	SMD. TRANSISTOR MMBT8550CLT1	1
Q5	996510021453	SMD. TRANSISTOR MMBT8550CLT1	1
Q6	996510009671	PNP TRANSISTOR	1
Q7	996510009671	PNP TRANSISTOR	1
Q8	996510009670	TRANSISTOR SMT 3CG9012M	1
Q9	996510009669	SMD.TRANSISTOR MMBT3904LT1 NPN	1
U1	996510020916	16M SPI FLASH EON	1
U2	996510029496	ZR36966PQCG-XF2	1
U3	996510029495	16M BIT SDRAM ISC42S16100E-7TL	1
U4	996510011055	IC CD5888CB	1
U5	996510010924	Dual operational amplifier	1
Y2	996510009675	27MCL20PF	1

ASSY-PW BD COMPONENT PARTLIST

No	12NC No.	Description	Qty
D1	996510011047	DIODE IN4007	1
D10	996500027866	DIODE SR360 3A/60V	1
D7	996500014043	DIODE FR102 (FAST RECOVERY)	1
L1	996510009942	COIL WIDTH	1
L2	996500032509	COIL SL0811-6R8K2R4	1
T1	996510012665	TRANSFORMER CONV.	1
U1	996510010953	IC TNY176PN	1
U2	996500024838	PC123X9YFZ	1
U3	996500014609	IC AM431LP	1

ASSY-FB BD COMPONENT PARTLIST

No	12NC No.	Description	Qty
LED2	996500034464	LED BT-102D-31	1
LED3	996500034464	LED BT-102D-31	1
REM301	996510020925	HM338-12 RECEIVER MOD H=12MM	1

MECHANICAL PARTLIST

No	12NC No.	Description	Qty
1	996510029529	FRONT DOOR	1
10	996510029528	TOP CABINET	1
△ 12	996510021478	POWER CORD	1
14	996510030194	BACK PANEL	1
16	996510006463	PAD	4
△ 7	996510027099	BOTTOM PLATE	1
AVCBL	996510001106	VIDEO CABLE 1500mm	1
Assy1	996510029527	FRONT PANEL ASSY	1
CON2	996510010962	5PIN CBL TJC3-5Y/SCN-5P L=90MM	1
RC	996510030187	REMOTE CONTROL	1
XP1	996510029492	4PIN CABLE	1
XP7	996510001168	24PIN HS	1
XP8	996510021448	6PIN HS	1
XP9	996510004063	CABLE PH-5Y/PH-5Y L=130MM	1
XS301	996510029488	CABLE 9PIN 140MM FH-JC20	1
XS800	996510022394	4PIN CABLE WITH SHIELD L=180MM	1

SCREWS LIST:

No	12NC No.	Description	Qty
6	—	S/T SCREW B 2.6 X 8 BF	6
11	—	S/T SCREW B3 X 6 BF	9
13	—	S/T SCREW B 3 X 7 BF	4

REVISION LIST

Version 1.0

* Initial release for DVP3111/55 and DVP3300/93

Version 1.1

* Adding DVP3300/96